

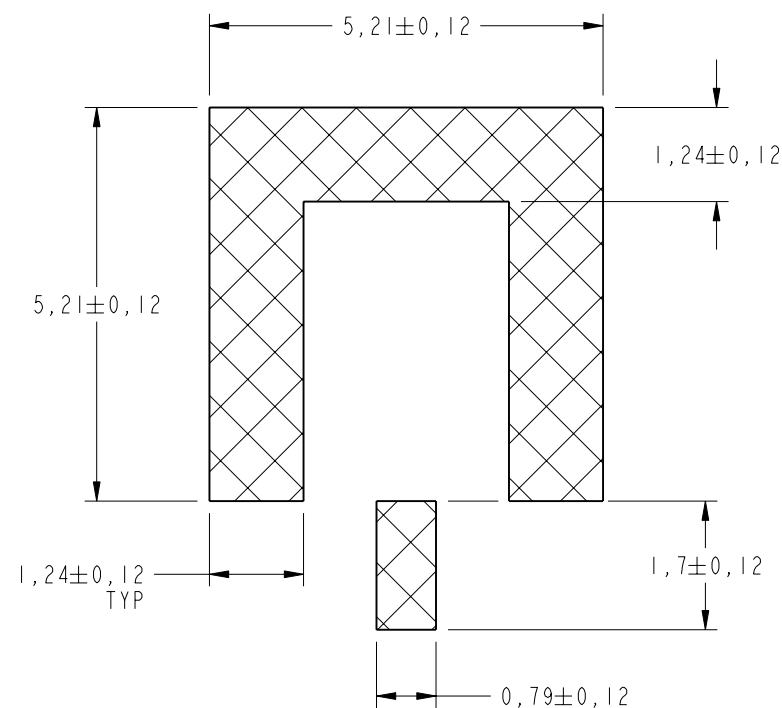
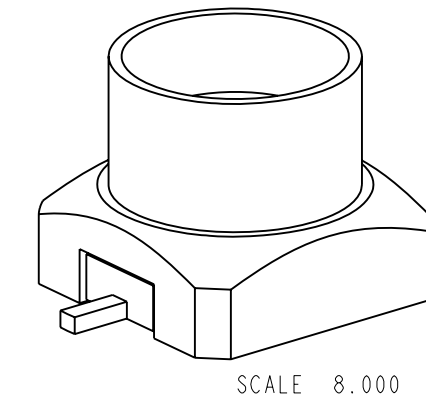
NOTES:

1. MATERIALS AND FINISHES:
  - BODY - BRASS, GOLD PLATING, .000030"[0.8um]
  - CONTACT - BRASS, GOLD PLATING, .000030"[0.8um]
  - INSULATOR - LCP C 150
2. ELECTRICAL:
  - A. IMPEDANCE: 50 OHM
  - B. FREQUENCY RANGE: DC - 18 GHz
  - C. VSWR(RETURN LOSS): 1.10 (26.4 dB), MAX. DC-6GHz  
1.15 (23.1 dB), MAX. 6-10GHz  
1.30 (17.7 dB), MAX. 10-18GHz
  - D. DIELECTRIC WITHSTANDING VOLTAGE: 335 VRMS, MIN.
3. PHYSICAL:
  - A. DURABILITY: 500 CYCLES MIN.
  - B. ENGAGEMENT FORCE: 2 LB [9 N] MAX
  - C. DISENGAGEMENT FORCE: .5 LB [2.2 N] MIN
  - D. INNER CONTACT RETENTION FORCE: 1.5 LB [7 N] MIN
  - E. TEMPERATURE RANGE: -65° C TO 165° C
4. PACKAGING:
  - A. PACKAGE CONNECTOR AS PER ROUTING INSTRUCTIONS.
  - B. MARK BAG OR TAG "SMP-MSSB-PCS YYWW"

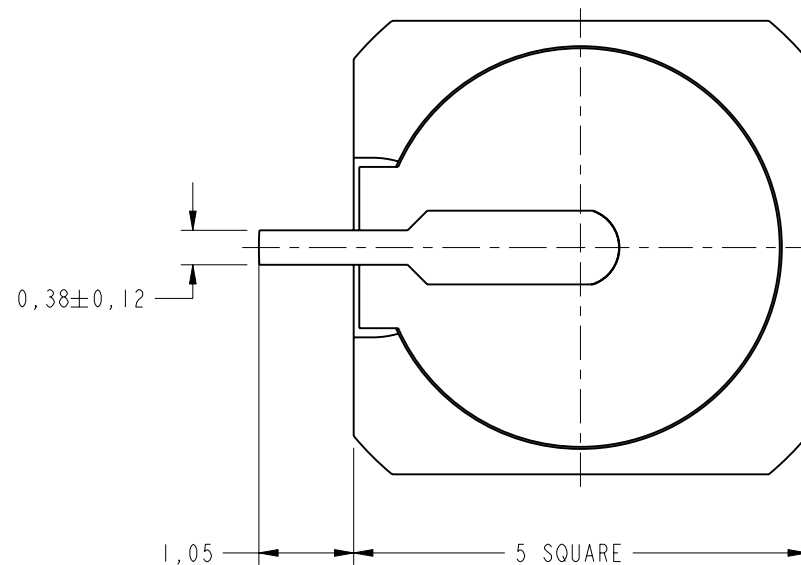
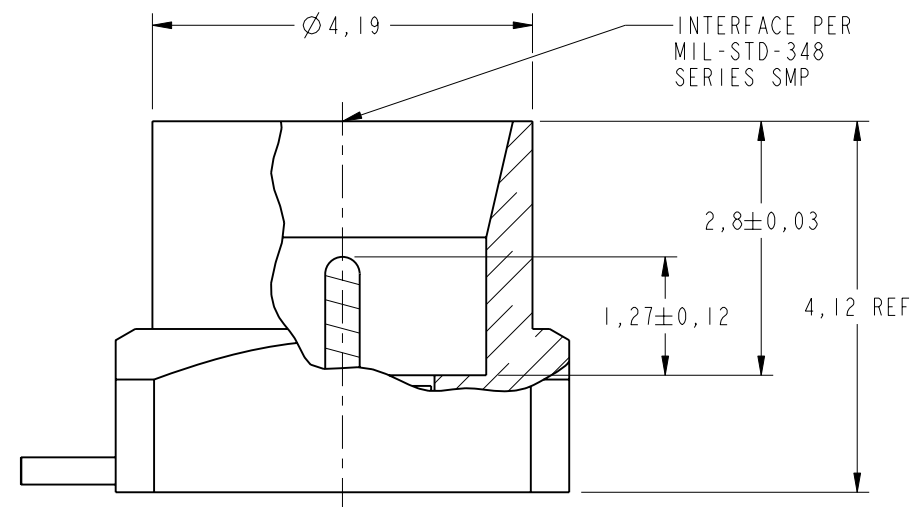
THIRD ANGLE PROJ.

REVISIONS

| REV | DESCRIPTION                                    | DATE      | ECO   | APPR |
|-----|--|-----------|-------|------|
| A   | RELEASE TO MFG                                 | 3/2/05    | 45426 | MAH  |
| B   | 940-10020 WAS NS00AYT02A\RD-DM07062901C        | 07-04-07' |       | CW   |
| C   | SYNCH THE DRAWING WITH DANBURY\RD-DM11031401R3 | 29-Mar-11 | 48488 | RM   |
| D   | 1.27±0.12 WAS 1.31±0.12\RD-DM13091001J8        | 24-Sep-13 | 49741 | MD   |



RECOMMENDED PCB FOOTPRINT  
SCALE 10.000



**CUSTOMER OUTLINE DRAWING**

ALL OTHER SHEETS ARE FOR INTERNAL USE ONLY

|  |   |  |                       |  |  |                       |
|--|---|--|-----------------------|--|--|-----------------------|
| UNLESS OTHERWISE SPECIFIED, DIMENSIONS ARE IN METRIC AND TOLERANCES ARE:<br><0.5mm ±0.05mm    0.5 - 6mm ±0.1mm    6 - 30mm ±0.2mm    30 - 120mm ±0.3mm    ANGLES ±1° | MATERIAL  | DRAWN<br>J. CHEN   | DATE<br>24-Sep-13     | TITLE<br>SMP MALE SMT<br>PCB RECEPTACLE<br>SMOOTH BORE | Amphenol RF<br>Danbury CT USA, Tainan, Taiwan, Shenzhen, China<br>www.amphenolrf.com |                       |
|  | NOTICE - These drawings, specifications, or other data (1) are, and remain the property of Amphenol corp. (2) must be returned upon request; and (3) are confidential and not to be disclosed to any person other than those to whom they are given by Amphenol Corp. the furnishing of these drawings, specifications, or other data by Amphenol Corp., or to any other person to anyone for any purpose is not to be regarded by implication or otherwise in any manner licensing, granting rights to permitting such holder or any other person to manufacture, use or sell any product, process or design, patented or otherwise, that may in any way be related to or disclosed by said drawings, specifications, or other data. | REFERENCE<br>GEN# ASSYM7_SMP<br>EAR#<br>615X-1782<br>PREVIOUSLY SMP-MSSB-PCS-1<br>FINISH | ENGINEER<br>H. PARIKH |  |  | DATE<br>20-Apr-01     |
|  |   | APPROVED<br>S. HSIEH   | DATE<br>27-Sep-13     | DWG SIZE<br>B  | REV<br>D   | ITEM NO. SMP-MSSB-PCS |
|  |   |  |                       |  |  | PART NO. SMP-MSSB-PCS |

# Mouser Electronics

Authorized Distributor

Click to View Pricing, Inventory, Delivery & Lifecycle Information:

[Amphenol:](#)

[SMP-MSSB-PCS](#)