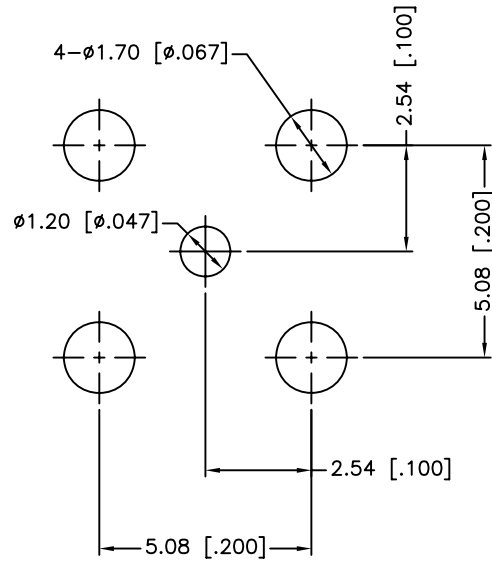
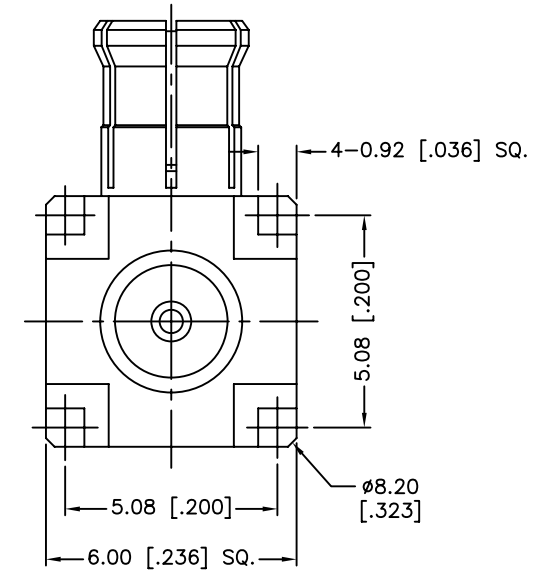
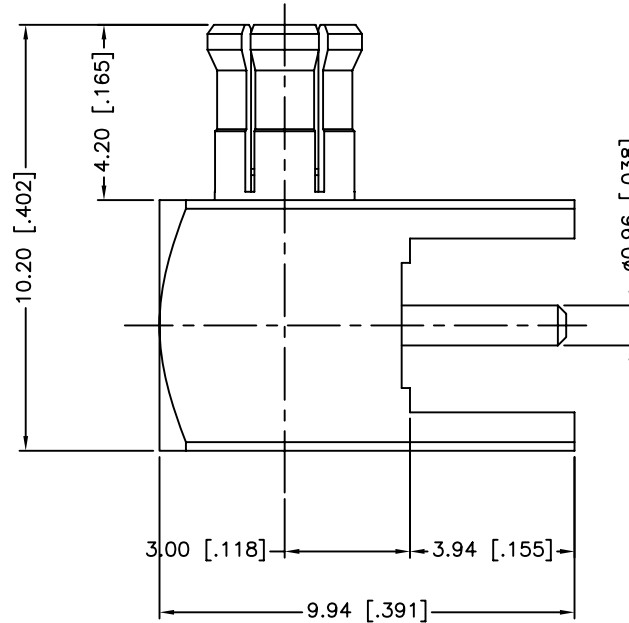


REV.	DATE	ECR NO.	DESCRIPTION
NC	12/16/98	XXXXXX	INITIAL RELEASE
A	12/31/05	XXXXXX	UPDATE DRAWING FORMAT
B	10/28/11	2248	ADD DIMENSIONS & ADD NOTES & UPDATE BOTTOM VIEW



PCB MOUNTING HOLE



1. IMPEDANCE:50 OHM
2. FREQUENCY RANGE: DC 0-2.5 GHz
3. DIELECTRIC WITHSTANDING VOLTAGE: 1000 VRMS, MIN.
4. DURABILITY:500 CYCLES MIN.
5. TEMPERATURE RANGE: -55°C TO +155°C

UNLESS OTHERWISE SPECIFIED DIMENSIONS ARE IN MILLIMETERS. DIMENSIONS IN [] ARE IN INCHES AND FOR CUSTOMER REFERENCE ONLY.				APPROVALS	DATE	<h1 style="color: blue; margin: 0;">Amphenol Connex</h1>		
5	BODY	BERYLLIUM COPPER	GOLD	1	DRAWN		M.ZHANG	10/28/11
4	INSULATOR	PTFE	NATURAL	1	CHECKED			
3	CONTACT PIN	BRASS	GOLD	1	ISSUED			
2	INSULATOR	PTFE	NATURAL	1	SHEET		1 OF 1	
1	HOUSING	BRASS	GOLD	1				
	DESCRIPTION	MATERIAL	FINISH	QTY	UNLESS OTHERWISE SPECIFIED TOLERANCES FOR MILLIMETERS ARE: 0.5 - 8mm ± 0.20mm 8 - 30mm ± 0.40mm 30 - 120mm ± 0.50mm UNLESS OTHERWISE SPECIFIED TOLERANCES FOR INCHES ARE: .020 - .315 = ± 0.007" .315 - 1.180 = ± 0.015" 1.180 - 4.724 = ± 0.020"			PART DESCRIPTION <h2 style="text-align: center; margin: 0;">MXC R/A P.C. BOARD RECEPT. PLUG</h2>
					DO NOT SCALE DRAWING			PART NO. <h2 style="text-align: center; margin: 0;">252155</h2>
					CAD FILE	C:/CONNEX/252155.DWG		DWG. NO. 252155.DWG REV. B SIZE A SCALE NA

Mouser Electronics

Authorized Distributor

Click to View Pricing, Inventory, Delivery & Lifecycle Information:

[Amphenol:](#)

[252155](#)