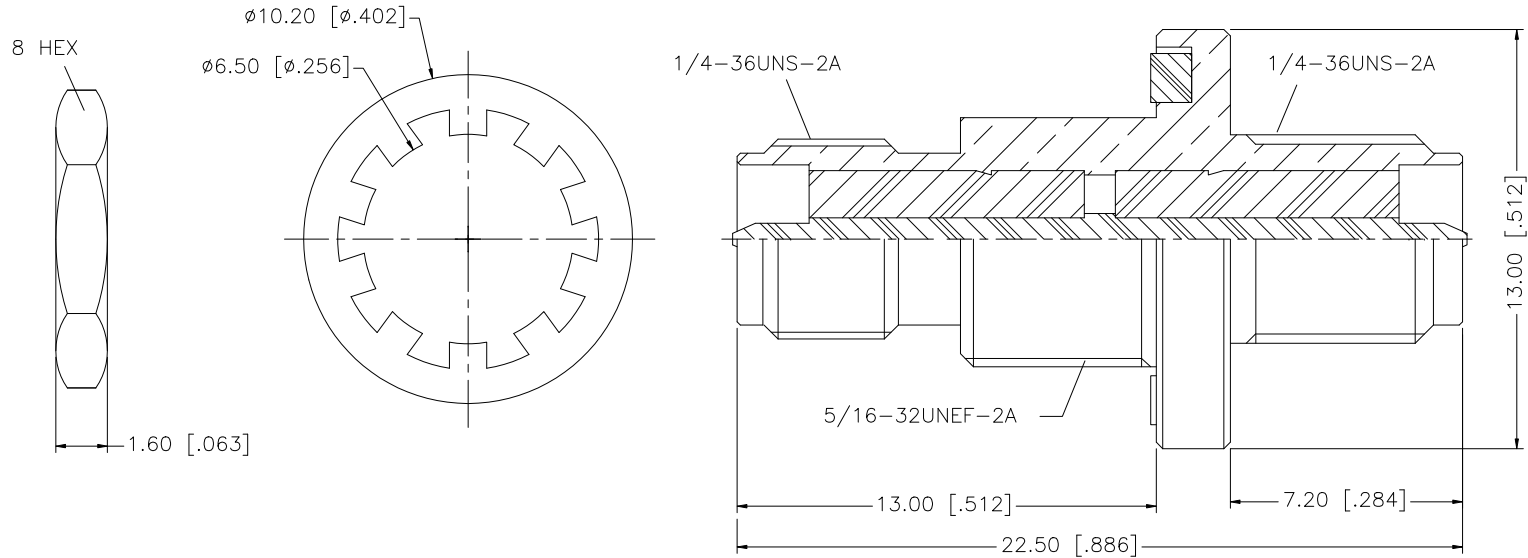


REV.	DATE	DESCRIPTION
NC	12/20/07	INITIAL RELEASE



QTY	FINISH	MATERIAL	DESCRIPTION
1	GOLD	BRASS	BODY
1	NATURAL	TEFLON	INSULATOR
1	GOLD	BRASS	CONTACT PIN
1	RED	SILICON	GASKET
1	GOLD	BRASS	LOCK WASHER
1	GOLD	BRASS	HEX NUT

APPROVALS	DATE
DRAWN G.R.S.	12/20/07
CHECKED	
ISSUED	
SHEET 1 OF 1	
CAD FILE	
C:/132/132170-10RP-RP.DWG	

Amphenol Connex			
PART DESCRIPTION SMA REVERSE POLARITY BULKHEAD JACK TO JACK ADAPTER			
PART NO. 132170-10RP-RP			
DWG. NO.	132170-10RP-RP.DWG	REV.	NC
SIZE	A	SCALE	NA

UNLESS OTHERWISE SPECIFIED DIMENSIONS ARE IN MILLIMETERS. DIMENSIONS IN [] ARE IN INCHES AND FOR CUSTOMER REFERENCE ONLY.

UNLESS OTHERWISE SPECIFIED TOLERANCES FOR MILLIMETERS ARE:
0.5 - 8mm ± 0.20mm
8 - 30mm ± 0.40mm
30 - 120mm ± 0.50mm

UNLESS OTHERWISE SPECIFIED TOLERANCES FOR INCHES ARE:
.020 - .315 = ± 0.007"
.315 - 1.180 = ± 0.015"
1.180 - 4.724 = ± 0.020"

DO NOT SCALE DRAWING

Mouser Electronics

Authorized Distributor

Click to View Pricing, Inventory, Delivery & Lifecycle Information:

[Amphenol:](#)

[132170-10RP-RP](#)