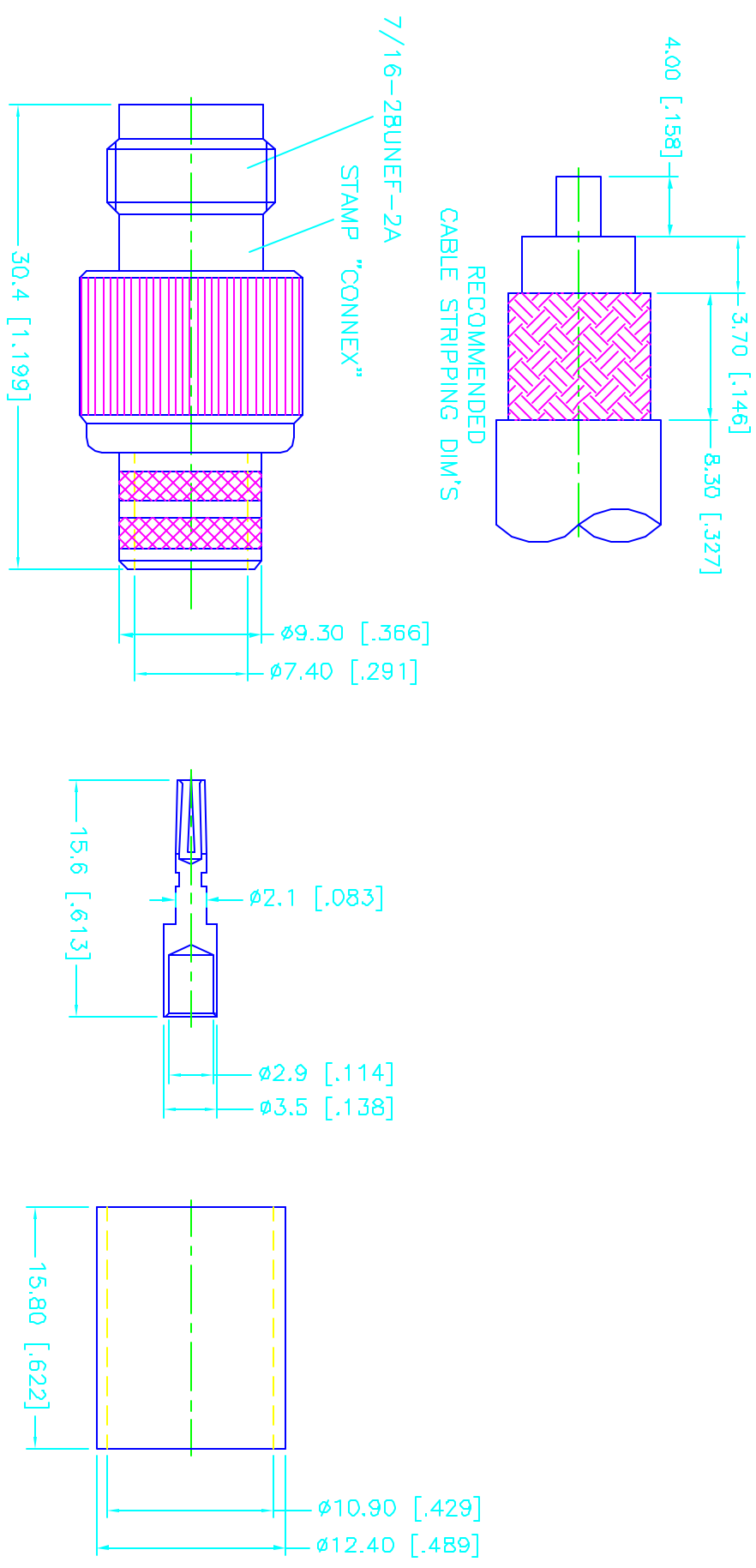


REV.	DATE	DESCRIPTION
NC	04/16/98	INITIAL RELEASE



DESCRIPTION	MATERIAL	FINISH	UNLESS OTHERWISE SPECIFIED DIMENSIONS ARE IN MILLIMETERS FOR CUSTOMER REFERENCE ONLY	APPROVALS	DATE	TITLE	SCALE	PART NO.	SHEET
1 BODY	BRASS	NICKEL	UNLESS OTHERWISE SPECIFIED DIMENSIONS ARE IN MILLIMETERS FOR CUSTOMER REFERENCE ONLY TOLERANCES FOR MILLIMETERS ARE: 0.5-6 ± 0.2 6-30 ± 0.4 30-120 ± 0.6 120-375 ± 1 375-1000 ± 1.6 1000-2000 ± 2.4	DRAWN	G.R.S.	04/16/98	TNC CRIMP JACK (FOR BELDEN 8214, 9913) LMR 400 CABLE	99001	122392
2 INSULATOR	TEFLON	NATURAL		CHECKED					
3 CONTACT PIN	PHOS. BRONZE	GOLD		ISSUED					
4 FERRULE	JIS	NICKEL							
5									
6									
7									
8									



TNC CRIMP JACK
(FOR BELDEN 8214, 9913) LMR 400 CABLE

122392.DWG
122392

1 OF 1

Mouser Electronics

Authorized Distributor

Click to View Pricing, Inventory, Delivery & Lifecycle Information:

[Amphenol:](#)

[122392](#)