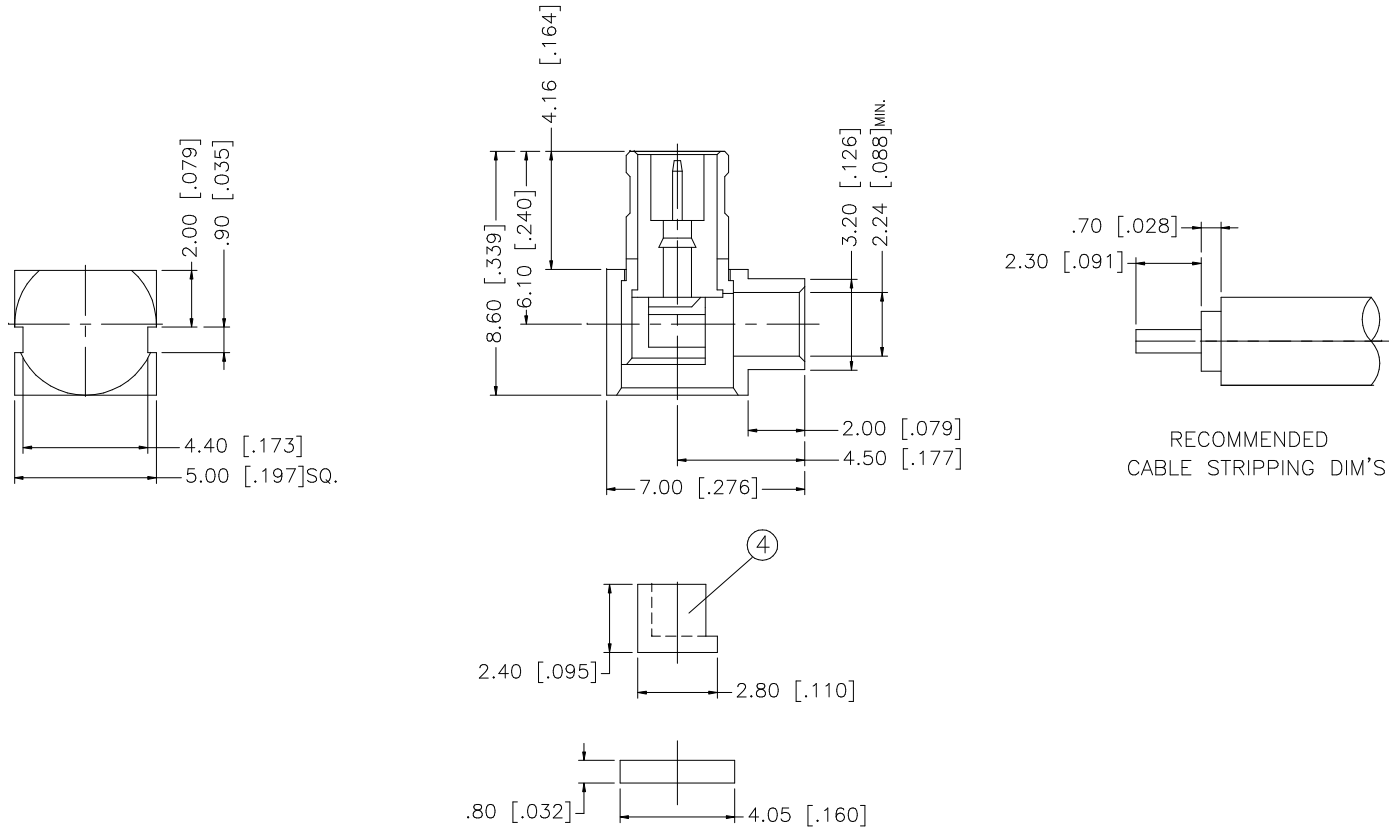


REV.	DATE	DESCRIPTION
A	02/08/03	UPDATE DRAWING FORMAT



NOTE:
1. CONTACT PIN TO SOLDER

REV.	DATE	DESCRIPTION
A	02/08/03	UPDATE DRAWING FORMAT

8					<small>UNLESS OTHERWISE SPECIFIED DIMENSIONS ARE IN MILLIMETERS. DIMENSIONS IN [] ARE IN INCHES AND FOR CUSTOMER REFERENCE ONLY.</small> <small>UNLESS OTHERWISE SPECIFIED TOLERANCES FOR MILLIMETERS ARE: 0.5 - 8mm ± 0.20mm 8 - 30mm ± 0.40mm 30 - 120mm ± 0.50mm</small> <small>UNLESS OTHERWISE SPECIFIED TOLERANCES FOR INCHES ARE: .020 - .315 = ± 0.007" .315 - 1.180 = ± 0.015" 1.180 - 4.724 = ± 0.020"</small>	APPROVALS	DATE	<h1 style="color: blue;">Amphenol Connex</h1>		
7				DRAWN		G.R.S.	02/08/03			
6				CHECKED						
5	COVER	BRASS	GOLD	1		ISSUED				
4	INSULATOR	DELTRIN	NATURAL	1		SHEET	1 OF 1			
3	CONTACT PIN	BRASS	GOLD	1						
2	INSULATOR	TEFLON	NATURAL	1						
1	HOUSING/BODY	BRASS	GOLD	1						
	DESCRIPTION	MATERIAL	FINISH	QTY	DO NOT SCALE DRAWING		CAD FILE	C:/252/252109.DWG	PART DESCRIPTION	MCX R/A SOLDER PLUG (FOR .085", .086" SEMI RIGID CABLE)
					DWG. NO.	252109.DWG	REV.	A	SIZE	A
									SCALE	NA

Mouser Electronics

Authorized Distributor

Click to View Pricing, Inventory, Delivery & Lifecycle Information:

[Amphenol:](#)

[252109](#)