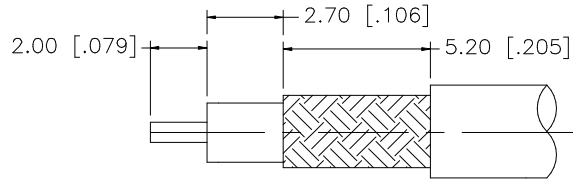
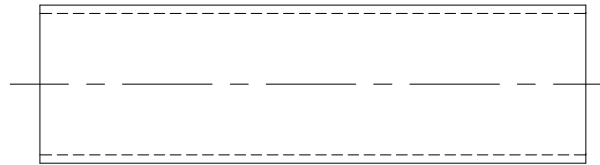
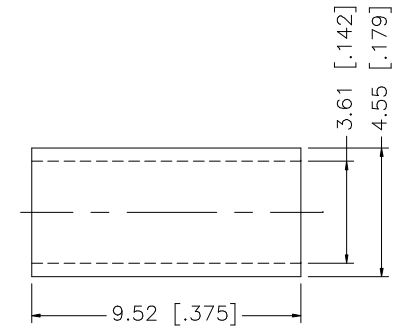
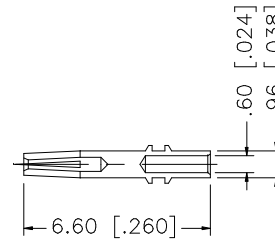
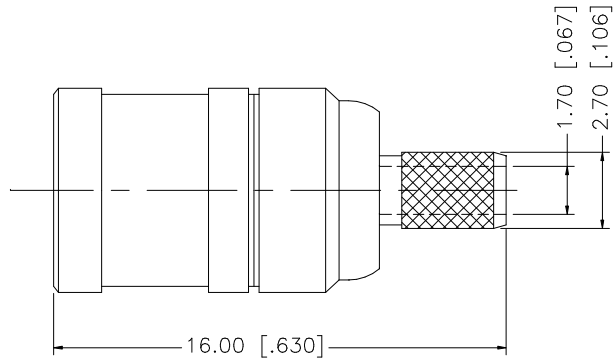


REV.	DATE	DESCRIPTION
A	01/30/04	UPDATE DRAWING FORMAT



RECOMMENDED  
CABLE STRIPPING DIM'S



NOTE:

1. CRIMPED FERRULE  
HEX CRIMP SIZE .151"
2. CONTACT PIN TO SOLDER.

DESCRIPTION	MATERIAL	FINISH	QTY	DO NOT SCALE DRAWING	APPROVALS	DATE	Amphenol Connex								
8					DRAWN	G.R.S.	01/30/04	PART DESCRIPTION <b>SMB CRIMP PLUG (FOR RG-316U/D CABLE)</b>							
7					CHECKED										
6					ISSUED			PART NO. <b>142187</b>							
5	HEAT SHRINK TUBE	BLACK	1		SHEET	1 OF 1									
4	FERRULE	COPPER	GOLD	1	CAD FILE		C:/142/142187.DWG	DWG. NO.	142187.DWG	REV.	A	SIZE	A	SCALE	NA
3	CONTACT PIN	BER. COPPER	GOLD	1	UNLESS OTHERWISE SPECIFIED DIMENSIONS ARE IN MILLIMETERS. DIMENSIONS IN [ ] ARE IN INCHES AND FOR CUSTOMER REFERENCE ONLY.										
2	INSULATOR	TEFLON	NATURAL	1	UNLESS OTHERWISE SPECIFIED TOLERANCES FOR MILLIMETERS ARE: 0.5 - 8mm ± 0.20mm 8 - 30mm ± 0.40mm 30 - 120mm ± 0.50mm										
1	BODY	BRASS	GOLD	1	UNLESS OTHERWISE SPECIFIED TOLERANCES FOR INCHES ARE: .020 - .315 = ± 0.007" .315 - 1.180 = ± 0.015" 1.180 - 4.724 = ± 0.020"										

# Mouser Electronics

Authorized Distributor

Click to View Pricing, Inventory, Delivery & Lifecycle Information:

[Amphenol:](#)

[142187](#)