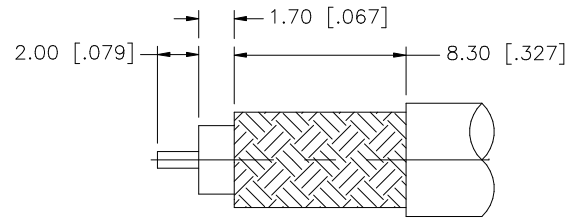
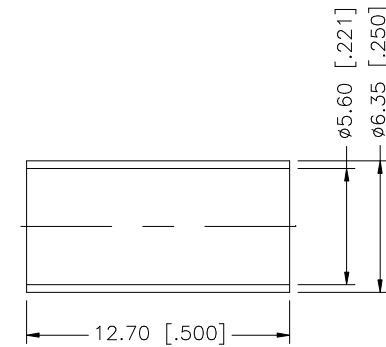
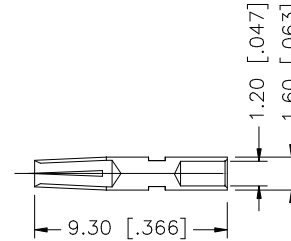
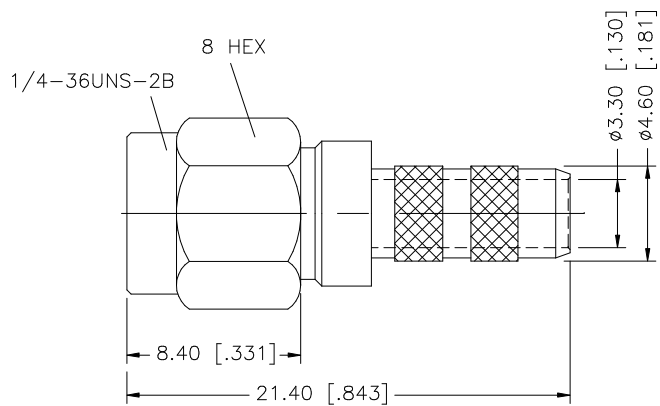


REV.	DATE	DESCRIPTION
NC	07/11/00	INITIAL RELEASE
A	07/20/05	UPDATE DRAWING FORMAT



RECOMMENDED  
CABLE STRIPPING DIM'S



NOTE:

1. CRIMPED FERRULE  
HEX CRIMP SIZE .213"
2. CONTACT PIN TO SOLDER

8				<small>UNLESS OTHERWISE SPECIFIED DIMENSIONS ARE IN MILLIMETERS. DIMENSIONS IN [ ] ARE IN INCHES AND FOR CUSTOMER REFERENCE ONLY.</small>  <small>UNLESS OTHERWISE SPECIFIED TOLERANCES FOR MILLIMETERS ARE:</small> 0.5 - 8mm ± 0.20mm 8 - 30mm ± 0.40mm 30 - 120mm ± 0.50mm  <small>UNLESS OTHERWISE SPECIFIED TOLERANCES FOR INCHES ARE:</small> .020 - .315 = ± 0.007" .315 - 1.180 = ± 0.015" 1.180 - 4.724 = ± 0.020"	APPROVALS	DATE	<h1 style="color: blue;">Amphenol Connex</h1>					
7					DRAWN	G.R.S.					07/20/05	
6					CHECKED			PART DESCRIPTION <b>SMA CRIMP PLUG – REVERSE POLARITY (FOR TIMES LMR-200)</b>				
5					ISSUED							
4	FERRULE	COPPER	GOLD	1	SHEET	1 OF 1	PART NO. <b>132234RP</b>					
3	CONTACT PIN	BER. COPPER	GOLD	1	CAD FILE	C:/132/132234RP.DWG						
2	INSULATOR	TEFLON	NATURAL	1	DWG. NO.	132234RP.DWG	REV.	A	SIZE	A	SCALE	NA
1	BODY	BRASS	GOLD	1								
	DESCRIPTION	MATERIAL	FINISH	QTY	DO NOT SCALE DRAWING							

# Mouser Electronics

Authorized Distributor

Click to View Pricing, Inventory, Delivery & Lifecycle Information:

[Amphenol:](#)

[132234RP](#)