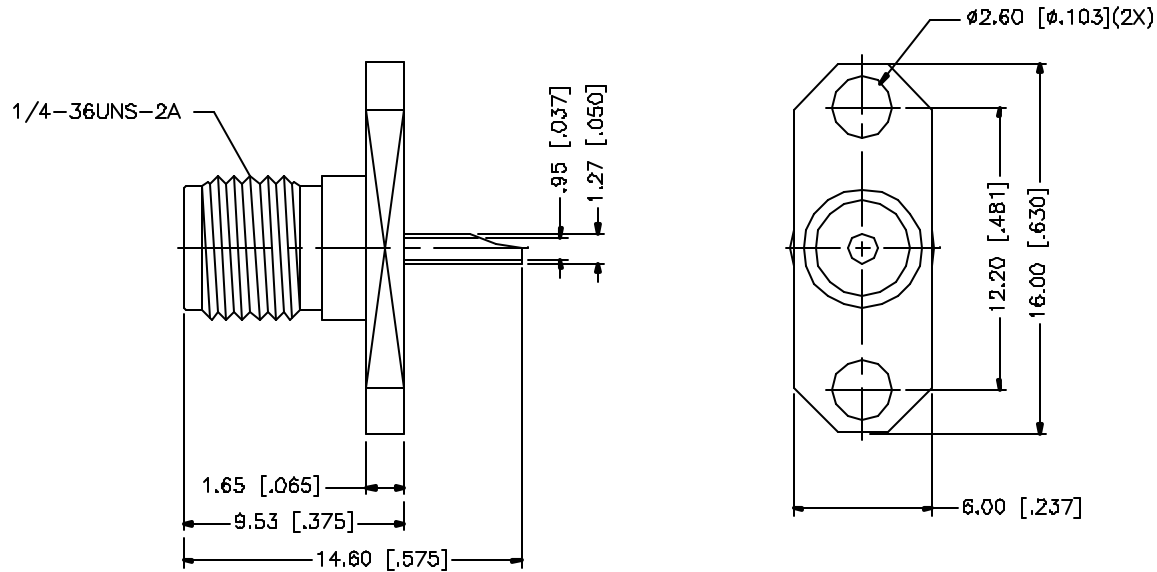


REV.	DATE	DESCRIPTION
NC	05/01/04	INITIAL RELEASE



8					<p>UNLESS OTHERWISE SPECIFIED DIMENSIONS ARE IN MILLIMETERS. DIMENSIONS IN [ ] ARE IN INCHES AND FOR CUSTOMER REFERENCE ONLY.</p> <p>UNLESS OTHERWISE SPECIFIED TOLERANCES FOR MILLIMETERS ARE:  0.5 - 3mm ± 0.20mm  3 - 30mm ± 0.40mm  30 - 120mm ± 0.50mm</p> <p>UNLESS OTHERWISE SPECIFIED TOLERANCES FOR INCHES ARE:  .020 - .315 = ± 0.007"  .315 - 1.180 = ± 0.015"  1.180 - 4.724 = ± 0.020"</p> <p>DO NOT SCALE DRAWING</p>	APPROVALS	DATE	<h1 style="color: blue; text-align: center;">Amphenol Connex</h1> <p style="text-align: center; font-weight: bold;">SMA PANEL RECEPTACLE JACK</p>						
7				DRAWN		G.R.S.	05/01/04		PART DESCRIPTION					
6				CHECKED										
5				ISSUED										
4				SHEET		1 OF 1			PART NO.					
3	CONTACT PIN	BER. COPPER	GOLD	1			132143							
2	INSULATOR	TEFLON	NATURAL	1										
1	BODY	BRASS	GOLD	1										
	DESCRIPTION	MATERIAL	FINISH	QTY			DWG. NO.	132143.DWG	REV.	NC	SIZE	A	SCALE	NA

# Mouser Electronics

Authorized Distributor

Click to View Pricing, Inventory, Delivery & Lifecycle Information:

[Amphenol:](#)

[132143](#)