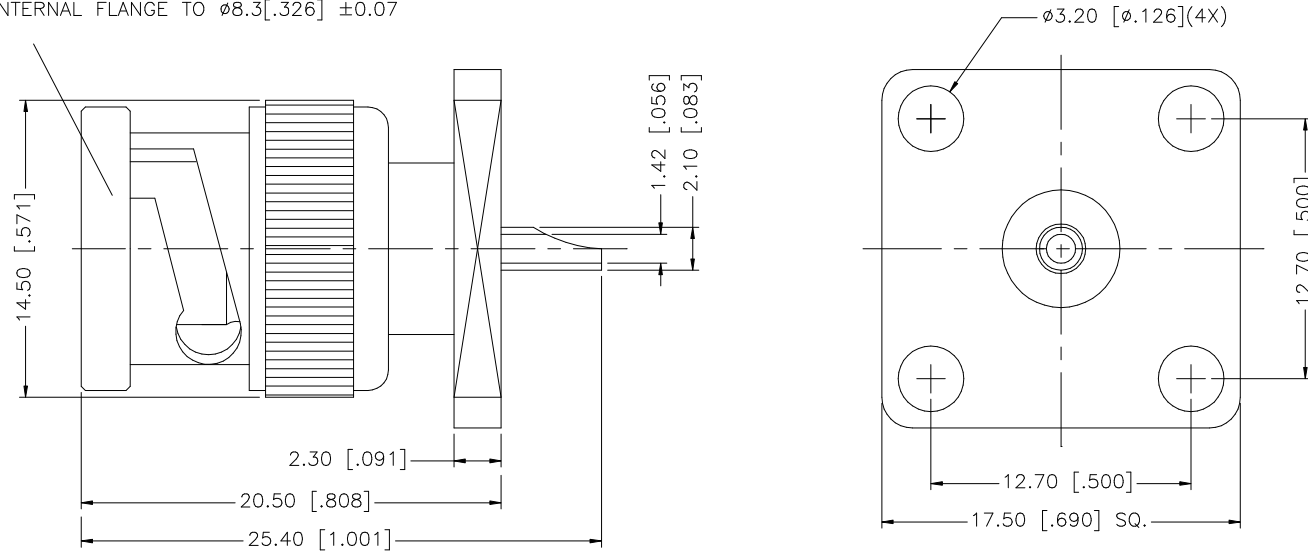


REV.	DATE	DESCRIPTION
NC	03/28/00	INITIAL RELEASE
A	01/02/07	UPDATE DRAWING FORMAT

NOTE:

FLARE INTERNAL FLANGE TO $\varnothing 8.3 [.326] \pm 0.07$



8					<small>UNLESS OTHERWISE SPECIFIED DIMENSIONS ARE IN MILLIMETERS. DIMENSIONS IN [] ARE IN INCHES AND FOR CUSTOMER REFERENCE ONLY.</small> <small>UNLESS OTHERWISE SPECIFIED TOLERANCES FOR MILLIMETERS ARE:</small> 0.5 - 8mm \pm 0.20mm 8 - 30mm \pm 0.40mm 30 - 120mm \pm 0.50mm <small>UNLESS OTHERWISE SPECIFIED TOLERANCES FOR INCHES ARE:</small> .020 - .315 = \pm 0.007" .315 - 1.180 = \pm 0.015" 1.180 - 4.724 = \pm 0.020"	APPROVALS	DATE	<h1 style="color: blue;">Amphenol Connex</h1>	
7				DRAWN		G.R.S.	01/02/07		PART DESCRIPTION BNC PANEL PLUG - 4 HOLE FLANGE
6				CHECKED					
5				ISSUED					
4					SHEET	1 OF 1		PART NO. 112653	
3	CONTACT PIN	BRASS	GOLD	1	CAD FILE	C:/112/112653.DWG			
2	INSULATOR	TEFLON	NATURAL	1				DWG. NO. 112653.DWG REV. A SIZE A SCALE NA	
1	BODY	BRASS	NICKEL	1					
	DESCRIPTION	MATERIAL	FINISH	QTY	DO NOT SCALE DRAWING				

Mouser Electronics

Authorized Distributor

Click to View Pricing, Inventory, Delivery & Lifecycle Information:

[Amphenol:](#)

[112653](#)