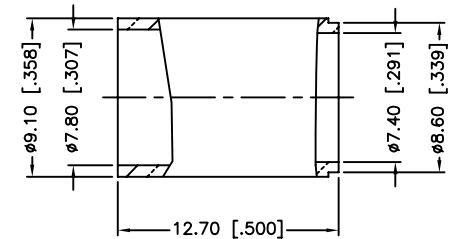
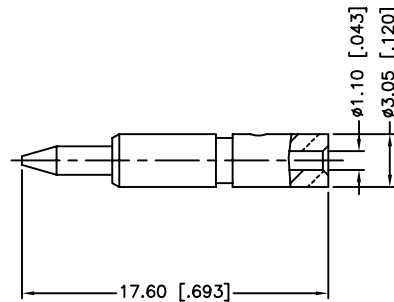
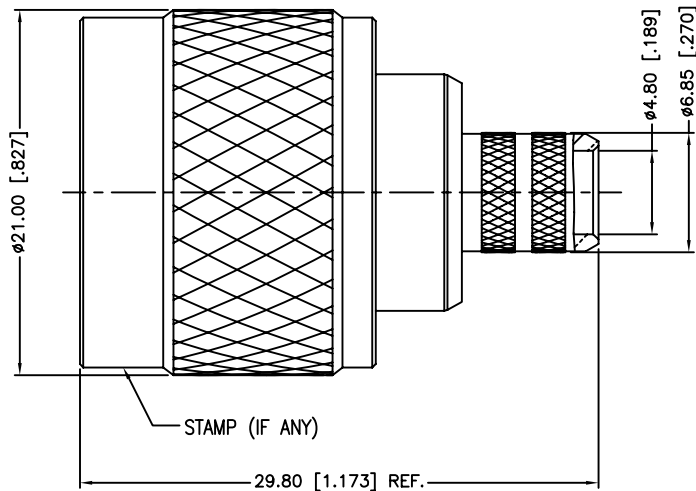


RECOMMENDED  
CABLE STRIPPING DIM'S

| REV. | DATE     | ECR NO. | DESCRIPTION                                      |
|------|----------|---------|--|
| NC   | 02/05/98 | XXXXXX  | INITIAL RELEASE                                  |
| A    | 10/05/05 | XXXXXX  | INITIAL RELEASE                                  |
| B    | 03/27/09 | XXXXXX  | INITIAL RELEASE                                  |
| C    | 05/10/10 | 2048    | CHANGE CENTER CONTACT TO STANDARD 50 OHM CONTACT |



1. CRIMPED FERRULE  
HEX CRIMP SIZE .319"
2. CRIMPED CONTACT PIN  
HEX CRIMP SIZE .100"

|   |               |          |         |     |
|---|---------------|----------|---------|-----|
| 9 | FERRULE       | BRASS    | NEXCOTE | 1   |
| 8 | CONTACT PIN   | BRASS    | GOLD    | 1   |
| 7 | RETAINER RING | SUS 304  | NATURAL | 1   |
| 6 | GASKET        | SILICONE | RED     | 1   |
| 5 | CONTACT BODY  | BRASS    | NEXCOTE | 1   |
| 4 | INSULATOR     | PTFE     | NATURAL | 1   |
| 3 | BARREL        | BRASS    | NEXCOTE | 1   |
| 2 | BODY          | BRASS    | NEXCOTE | 1   |
| 1 | SHELL         | BRASS    | NEXCOTE | 1   |
|   | DESCRIPTION   | MATERIAL | FINISH  | QTY |

UNLESS OTHERWISE SPECIFIED DIMENSIONS ARE IN MILLIMETERS. DIMENSIONS IN [ ] ARE IN INCHES AND FOR CUSTOMER REFERENCE ONLY.

UNLESS OTHERWISE SPECIFIED TOLERANCES FOR MILLIMETERS ARE:  
0.5 - 8mm ± 0.20mm  
8 - 30mm ± 0.40mm  
30 - 120mm ± 0.50mm

UNLESS OTHERWISE SPECIFIED TOLERANCES FOR INCHES ARE:  
.020 - .315 = ± 0.007"  
.315 - 1.180 = ± 0.015"  
1.180 - 4.724 = ± 0.020"

DO NOT SCALE DRAWING

| APPROVALS |                      | DATE     |
|-----------|----------------------|----------|
| DRAWN     | M.ZHANG              | 05/10/10 |
| CHECKED   |                      |          |
| ISSUED    |                      |          |
| SHEET     | 1 OF 1               |          |
| CAD FILE  | C:/CONNEX/172202.DWG |          |

|  |            |        |    |
|--|------------|--------|----|
| <b>Amphenol Connex</b>                     |            |        |    |
| PART DESCRIPTION                           |            |        |    |
| <b>N CRIMP PLUG<br/>(FOR RG-6/U CABLE)</b> |            |        |    |
| PART NO.                                   |            | 172202 |    |
| DWG. NO.                                   | 172202.DWG | REV.   | C  |
| SIZE                                       | A          | SCALE  | NA |

# Mouser Electronics

Authorized Distributor

Click to View Pricing, Inventory, Delivery & Lifecycle Information:

[Amphenol:](#)

[172202](#)