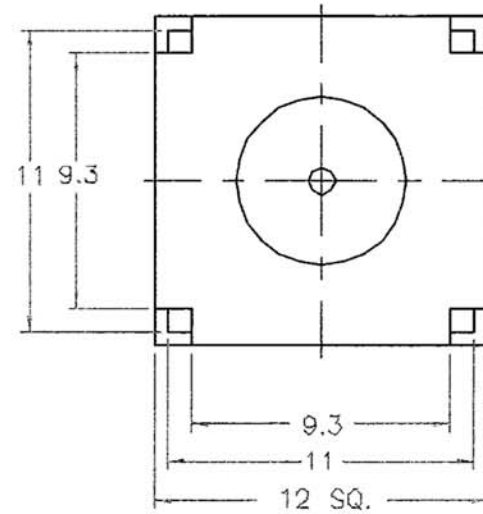
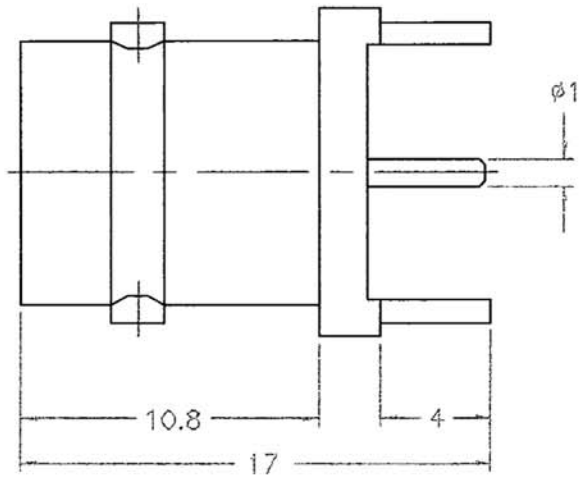



REV.	DATE	DESCRIPTION
A	07/14/97	CHANGE CONTACT MATERIAL



DESCRIPTION	MATERIAL	FINISH	DIMENSIONS ARE IN MILLIMETERS UNLESS OTHERWISE SPECIFIED TOLERANCES ARE:	APPROVALS		DATE		 Connex Connector Corporation TITLE STRAIGHT P.C.B. MOUNT RECEPTACLE				
				DRAWN	CHECKED	ISSUED	DATE					
1	BODY	BRASS	NICKEL	0.5-6 = ± 0.2	G.R.S.	07/14/97						
2	INSULATOR	TEFLON	NATURAL	6-30 = ± 0.4								
3	CONTACT PIN	PHOS. BRONZE	GOLD	30-120 = ± 0.6								
4				120-315 = ± 1								
5				315-1000 = ± 1.6								
6				1000-2000 = ± 2.4								
7												
8				DO NOT SCALE DRAWING								
				SIZE	FSCM NO.	DWG. NO.	REV.					
				A	99001	112406.DWG	A					
				SCALE	PART NO.	SHEET						
				4:1	112406	1 OF 1						

Mouser Electronics

Authorized Distributor

Click to View Pricing, Inventory, Delivery & Lifecycle Information:

[Amphenol:](#)

[112406](#)