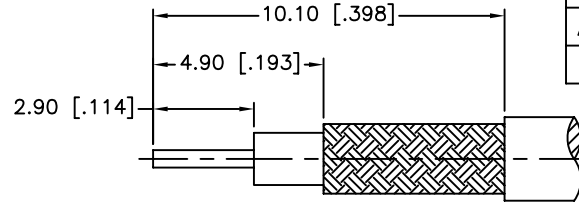
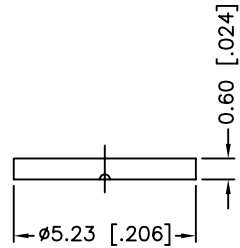
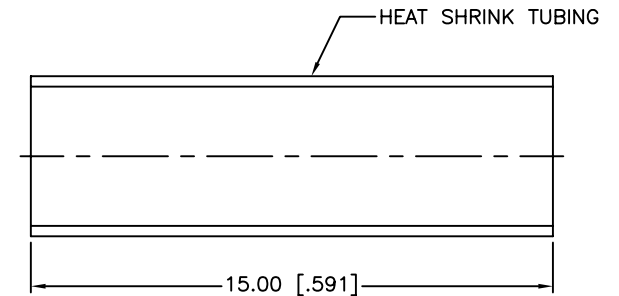
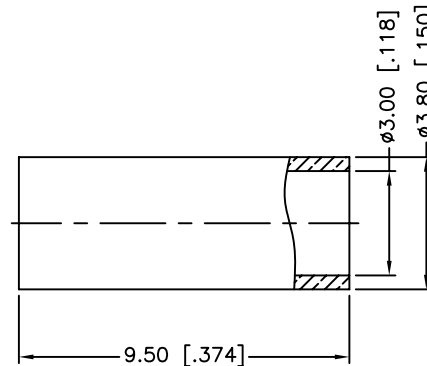
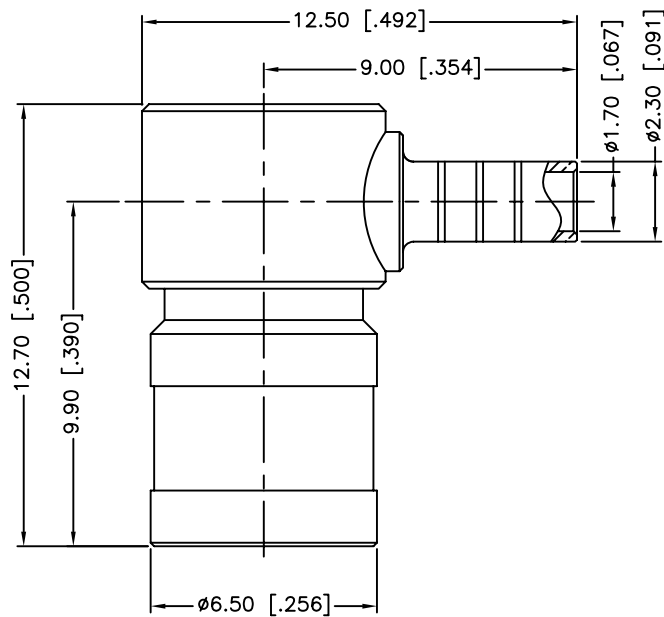


| REV. | DATE     | ECR NO. | DESCRIPTION  |
|------|----------|---------|--|
| NC   | 03/25/04 | XXXXXX  | INITIAL RELEASE  |
| A    | 03/27/05 | XXXXXX  | UPDATE PART DIMENSIONS/DRAWING FORMAT                  |
| B    | 12/17/10 | 2129    | CHANGE TITLE BLOCK TO "MINI 75 OHM SMB R/A CRIMP PLUG" |



RECOMMENDED  
CABLE STRIPPING DIM'S



1. CRIMPED FERRULE  
HEX CRIMP SIZE .128"
2. CONTACT PIN TO SOLDER

| DESCRIPTION | MATERIAL           | FINISH       | QTY       |
|-------------|--------------------|--------------|-----------|
| 8           | HEAT SHRINK TUBING |              | 1         |
| 7           | COVER              | BRASS        | GOLD 1    |
| 6           | FERRULE            | COPPER       | GOLD 1    |
| 5           | CONTACT PIN        | BER. COPPER  | GOLD 1    |
| 4           | INSULATOR          | PTFE         | NATURAL 1 |
| 3           | RETAINER RING      | BER. COPPER  | NATURAL 1 |
| 2           | BODY               | BRASS        | GOLD 1    |
| 1           | HOUSING            | ZINC DIECAST | GOLD 1    |

UNLESS OTHERWISE SPECIFIED DIMENSIONS ARE IN MILLIMETERS. DIMENSIONS IN [ ] ARE IN INCHES AND FOR CUSTOMER REFERENCE ONLY.

UNLESS OTHERWISE SPECIFIED TOLERANCES FOR MILLIMETERS ARE:  
0.5 - 8mm ± 0.20mm  
8 - 30mm ± 0.40mm  
30 - 120mm ± 0.50mm

UNLESS OTHERWISE SPECIFIED TOLERANCES FOR INCHES ARE:  
.020 - .315 = ± 0.007"  
.315 - 1.180 = ± 0.015"  
1.180 - 4.724 = ± 0.020"

DO NOT SCALE DRAWING

| APPROVALS                        | DATE     |
|----------------------------------|----------|
| DRAWN M.ZHANG                    | 12/17/10 |
| CHECKED                          |          |
| ISSUED                           |          |
| SHEET 1 OF 1                     |          |
| CAD FILE C:/CONNEX/142194-75.DWG |          |

|  |               |                  |    |
|--|---------------|------------------|----|
| <b>Amphenol Connex</b>   |               |                  |    |
| PART DESCRIPTION<br><b>MINI 75 OHM SMB R/A CRIMP PLUG<br/>(FOR RG-179/U CABLE)</b> |               |                  |    |
| PART NO.   |               | <b>142194-75</b> |    |
| DWG. NO.   | 142194-75.DWG | REV.             | B  |
| SIZE   | A             | SCALE            | NA |

# Mouser Electronics

Authorized Distributor

Click to View Pricing, Inventory, Delivery & Lifecycle Information:

[Amphenol:](#)

[142194-75](#)