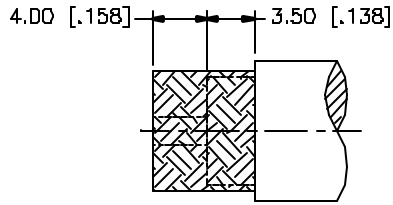
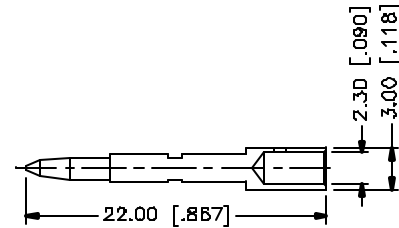
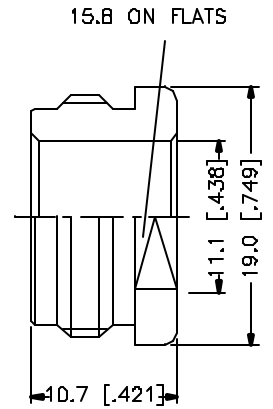
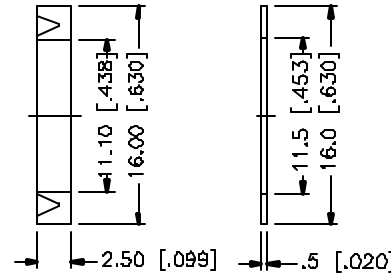
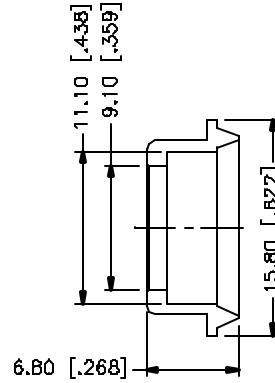
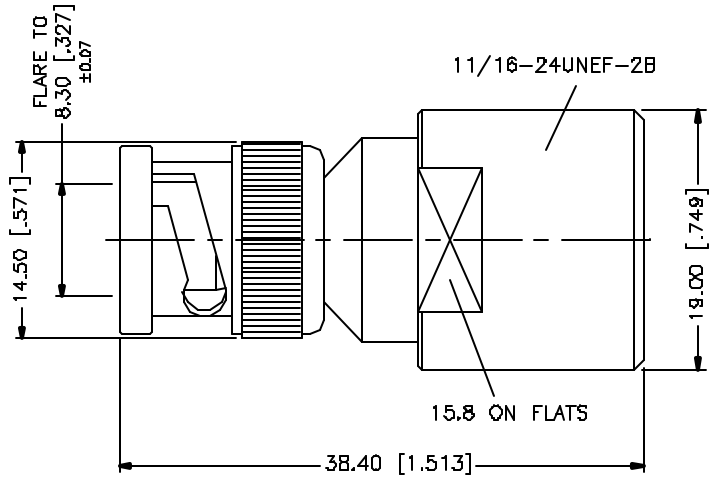


REV.	DATE	DESCRIPTION
A	03/18/05	MODIFY DESCRIPTION - UPDATE DRAWING FORMAT



RECOMMENDED  
CABLE STRIPPING DIM'S



NOTE:

1. CRIMPED CONTACT PIN, HEX CRIMP SIZE .100" OR SOLDER.

QTY	DESCRIPTION	MATERIAL	FINISH	QTY
1	SHELL/BODY	BRASS	NICKEL	1
2	INSULATOR	TEFLON	NATURAL	1
3	CONTACT PIN	PHOS. BRONZE	GOLD	1
4	BRAID CLAMP	BRASS	NICKEL	1
5	GASKET	SILICONE	RED	1
6	WASHER	BRASS	NICKEL	1
7	NUT	BRASS	NICKEL	1
8				

UNLESS OTHERWISE SPECIFIED DIMENSIONS ARE IN MILLIMETERS. DIMENSIONS IN [ ] ARE IN INCHES AND FOR CUSTOMER REFERENCE ONLY.

UNLESS OTHERWISE SPECIFIED TOLERANCES FOR MILLIMETERS ARE:  
 0.6 - 8mm ± 0.20mm  
 8 - 30mm ± 0.40mm  
 30 - 120mm ± 0.50mm

UNLESS OTHERWISE SPECIFIED TOLERANCES FOR INCHES ARE:  
 .020 - .315 = ± 0.007"  
 .315 - 1.180 = ± 0.015"  
 1.180 - 4.724 = ± 0.020"

DO NOT SCALE DRAWING

APPROVALS	DATE
DRAWN G.R.S.	03/18/05
CHECKED	
ISSUED	
SHEET 1 OF 1	
CAO FILE	C:/112/112531.DWG

**Amphenol Connex**

PART DESCRIPTION  
**BNC CLAMP PLUG**  
 (RG-8/U, 213/U, 214/U CABLE)

PART NO.  
**112531**

DWG. NO.	112531.DWG	REV.	A	SIZE	A	SCALE	NA
----------	------------	------	---	------	---	-------	----

# Mouser Electronics

Authorized Distributor

Click to View Pricing, Inventory, Delivery & Lifecycle Information:

[Amphenol:](#)

[112531](#)