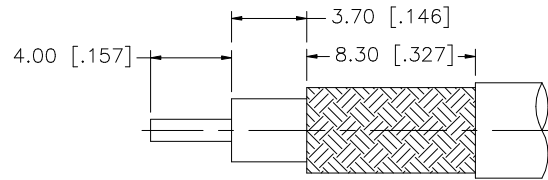
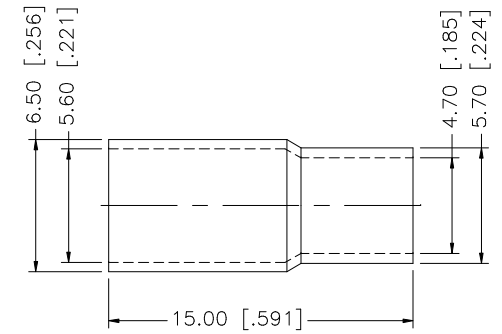
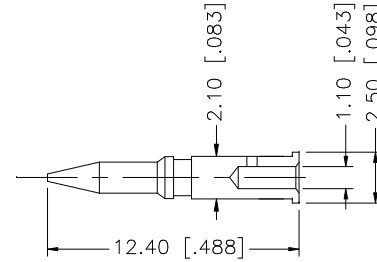
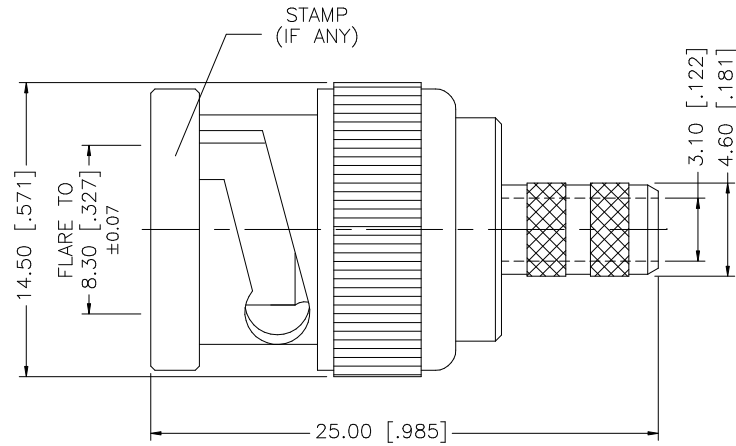


REV.	DATE	DESCRIPTION
NC	02/18/03	INITIAL RELEASE



RECOMMENDED  
CABLE STRIPPING DIM'S



9				
8				
7				
6				
5				
4	FERRULE	BRASS	NICKEL	1
3	CONTACT PIN	BRASS	GOLD	1
2	INSULATOR	DELRIN	NATURAL	1
1	BODY	BRASS	NICKEL	1
	DESCRIPTION	MATERIAL	FINISH	QTY

UNLESS OTHERWISE SPECIFIED DIMENSIONS ARE IN MILLIMETERS. DIMENSIONS IN [ ] ARE IN INCHES AND FOR CUSTOMER REFERENCE ONLY.

UNLESS OTHERWISE SPECIFIED TOLERANCES FOR MILLIMETERS ARE:  
0.5 - 8mm ± 0.20mm  
8 - 30mm ± 0.40mm  
30 - 120mm ± 0.50mm

UNLESS OTHERWISE SPECIFIED TOLERANCES FOR INCHES ARE:  
.020 - .315 = ± 0.007"  
.315 - 1.180 = ± 0.015"  
1.180 - 4.724 = ± 0.020"

DO NOT SCALE DRAWING

APPROVALS		DATE
DRAWN	G.R.S.	01/06/03
CHECKED		
ISSUED		
SHEET	1 OF 1	
CAD FILE	C:/112/112128.DWG	

<b>Amphenol Connex</b>			
PART DESCRIPTION <b>BNC CRIMP PLUG (RG-58/U PLENUM CABLE)</b>			
PART NO. <b>112128</b>			
DWG. NO.	112128.DWG	REV.	C
SIZE	A	SCALE	NA

# Mouser Electronics

Authorized Distributor

Click to View Pricing, Inventory, Delivery & Lifecycle Information:

[Amphenol:](#)

[112128](#)