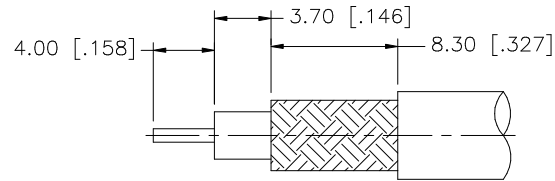
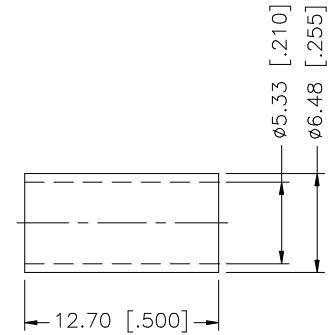
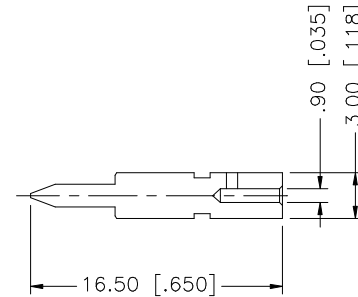
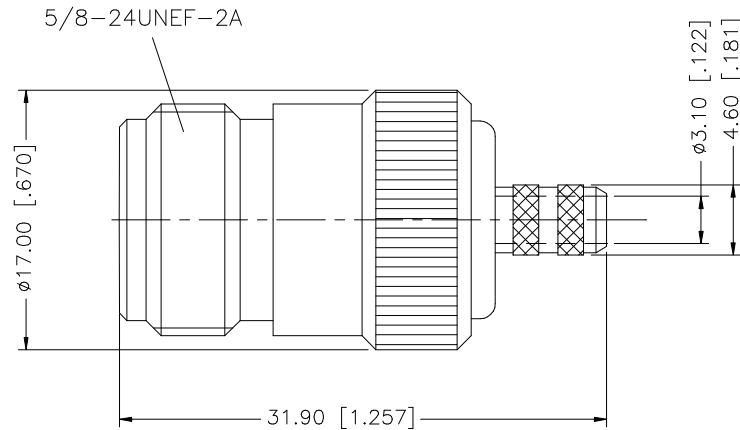


REV.	DATE	DESCRIPTION
NC	06/08/98	INITIAL RELEASE
A	06/25/06	UPDATE DRAWING FORMAT, REVISE PLATING TO NEXCOTE
B	12/19/06	REVISE NOTE 2.



RECOMMENDED  
CABLE STRIPPING DIM'S



NOTE:

1. CRIMPED FERRULE HEX. CRIMP SIZE .213"
2. CRIMPED CONTACT PIN HEX. CRIMP SIZE .100"

DESCRIPTION	MATERIAL	FINISH	QTY	DO NOT SCALE DRAWING	APPROVALS	DATE	<h1 style="color: blue; margin: 0;">Amphenol Connex</h1> <p style="text-align: center; margin: 5px 0;">PART DESCRIPTION</p> <p style="text-align: center; margin: 5px 0;">N REVERSE POLARITY CRIMP JACK (FOR RG-58/U CABLE)</p> <p style="text-align: center; margin: 5px 0;">PART NO.</p> <p style="text-align: center; margin: 5px 0;">172103RP</p>	DWG. NO.	REV.	SIZE	SCALE		
8				<small>UNLESS OTHERWISE SPECIFIED DIMENSIONS ARE IN MILLIMETERS. DIMENSIONS IN [ ] ARE IN INCHES AND FOR CUSTOMER REFERENCE ONLY.</small>  <small>UNLESS OTHERWISE SPECIFIED TOLERANCES FOR MILLIMETERS ARE:</small> 0.5 - 8mm ± 0.20mm 8 - 30mm ± 0.40mm 30 - 120mm ± 0.50mm  <small>UNLESS OTHERWISE SPECIFIED TOLERANCES FOR INCHES ARE:</small> .020 - .315 ± 0.007" .315 - 1.180 ± 0.015" 1.180 - 4.724 ± 0.020"	DRAWN	G.R.S.		12/19/06					
7					CHECKED								
6					ISSUED								
5					SHEET	1 OF 1							
4	FERRULE	COPPER	NEXCOTE		1								
3	CONTACT PIN	BRASS	GOLD	1									
2	INSULATOR	TEFLON	NATURAL	1									
1	BODY	BRASS	NEXCOTE	1									
					CAD FILE	C:/172/172103RP.DWG		172103RP.DWG	B	A	NA		

# Mouser Electronics

Authorized Distributor

Click to View Pricing, Inventory, Delivery & Lifecycle Information:

[Amphenol:](#)

[172103RP](#)