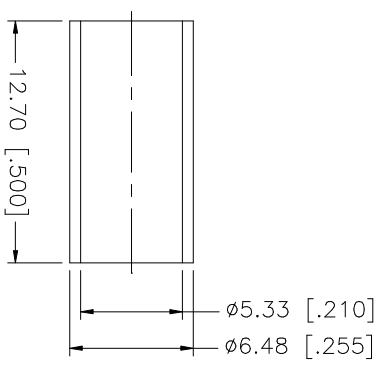
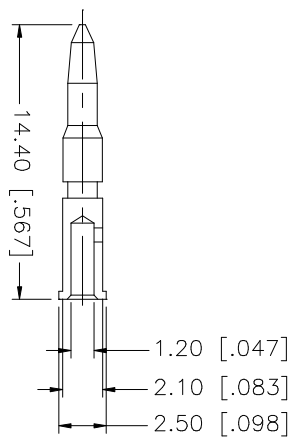
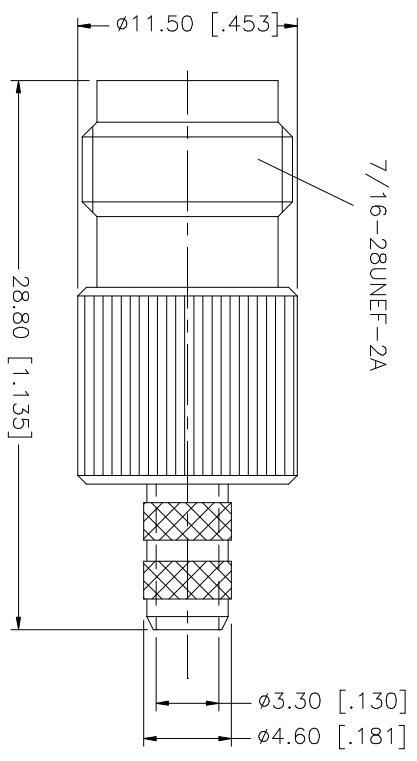
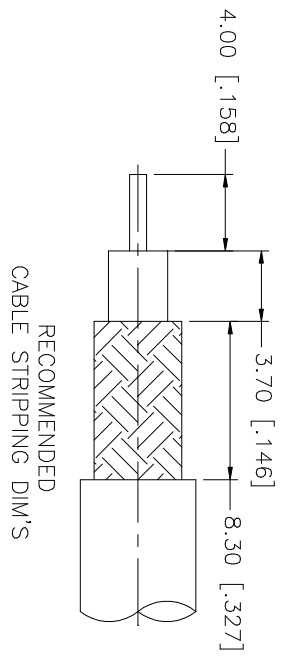


REV.	DATE	DESCRIPTION
NC	08/04/05	INITIAL RELEASE



- NOTE:
1. CRIMPED FERRULE  
HEX CRIMP SIZE .213"
  2. CRIMPED CONTACT PIN  
HEX CRIMP SIZE .068"

QTY	FINISH	MATERIAL	DESCRIPTION
1	NICKEL	COPPER	FERRULE
1	NICKEL	PHOS. BRONZE	CONTACT PIN
1	NICKEL	BRASS	BODY
			DESCRIPTION

APPROVALS	DATE
DRAWN G.R.S.	08/04/05
CHECKED	
ISSUED	
SHEET 1 OF 1	

PART DESCRIPTION	PART NO.
TNC REVERSE POLARITY CRIMP JACK (FOR LMR 200 CABLE)	122412RP

UNLESS OTHERWISE SPECIFIED DIMENSIONS ARE IN MILLIMETERS DIMENSIONS IN [ ] ARE IN INCHES AND FOR CUSTOMER REFERENCE ONLY.
UNLESS OTHERWISE SPECIFIED TOLERANCES FOR MILLIMETERS ARE: 0.5 - 6mm ± 0.20mm 8 - 30mm ± 0.40mm 30 - 120mm ± 0.50mm
UNLESS OTHERWISE SPECIFIED TOLERANCES FOR INCHES ARE: .020 - .315 = ± 0.007" .315 - 1.180 = ± 0.015" 1.180 - 4.724 = ± 0.020"
DO NOT SCALE DRAWING

CAD FILE	DWG. NO.	REV.	SIZE	SCALE
C:/122/122412RP.DWG	122412RP.DWG	NC	A	NA

**Amphenol Connex**

# Mouser Electronics

Authorized Distributor

Click to View Pricing, Inventory, Delivery & Lifecycle Information:

[Amphenol:](#)

[122412RP](#)