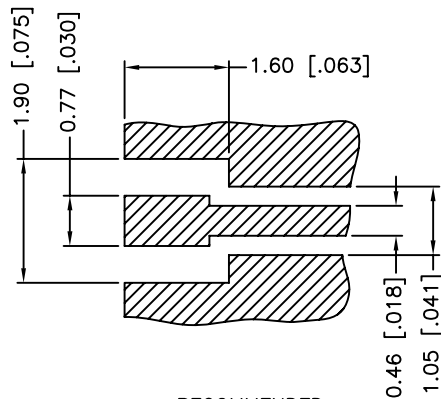
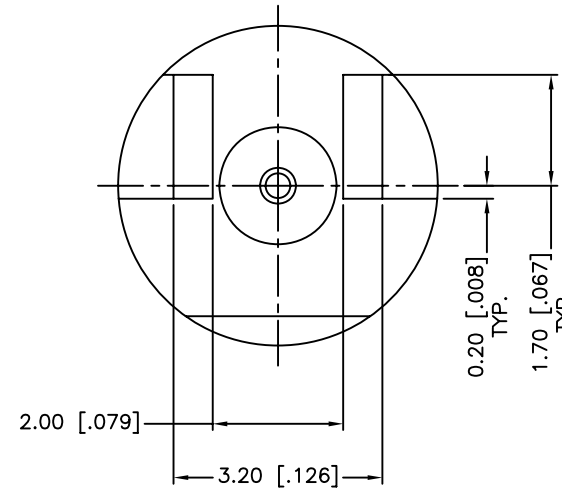
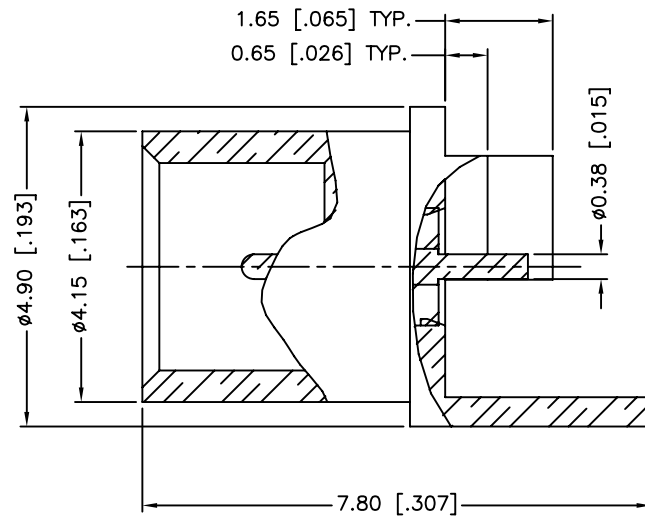
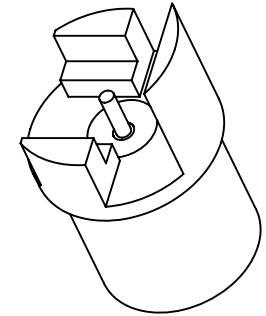


REV.	DATE	ECR NO.	DESCRIPTION
NC	03/23/11	XXXXXX	INITIAL RELEASE



RECOMMENDED  
PCB MOUNTING PATTERN

1. FREQUENCY RANGE: DC 0–26.5 GHz
2. PCB THICKNESS=1.6 mm

UNLESS OTHERWISE SPECIFIED DIMENSIONS ARE IN MILLIMETERS. DIMENSIONS IN [ ] ARE IN INCHES AND FOR CUSTOMER REFERENCE ONLY.

UNLESS OTHERWISE SPECIFIED TOLERANCES FOR MILLIMETERS ARE:  
0.5 – 8mm ± 0.20mm  
8 – 30mm ± 0.40mm  
30 – 120mm ± 0.50mm

UNLESS OTHERWISE SPECIFIED TOLERANCES FOR INCHES ARE:  
.020 – .315 = ± 0.007"  
.315 – 1.180 = ± 0.015"  
1.180 – 4.724 = ± 0.020"

DO NOT SCALE DRAWING

APPROVALS	DATE
DRAWN F.WANG	03/23/11
CHECKED	
ISSUED	
SHEET 1 OF 1	
CAD FILE	C:/CONNEX/302100.DWG

# Amphenol Connex

PART DESCRIPTION	
SMP END LAUNCH RECEPT. JACK, SMOOTH BORE (FOR 1.6MM THICK PCB)	
PART NO. 302100	
DWG. NO. 302100.DWG	REV. NC SIZE A SCALE NA

3	CONTACT PIN	BRASS	GOLD	1
2	INSULATOR	PTFE	NATURAL	1
1	BODY	BERYLLIUM COPPER	GOLD	1
	DESCRIPTION	MATERIAL	FINISH	QTY

# Mouser Electronics

Authorized Distributor

Click to View Pricing, Inventory, Delivery & Lifecycle Information:

[Amphenol:](#)

[302100](#)