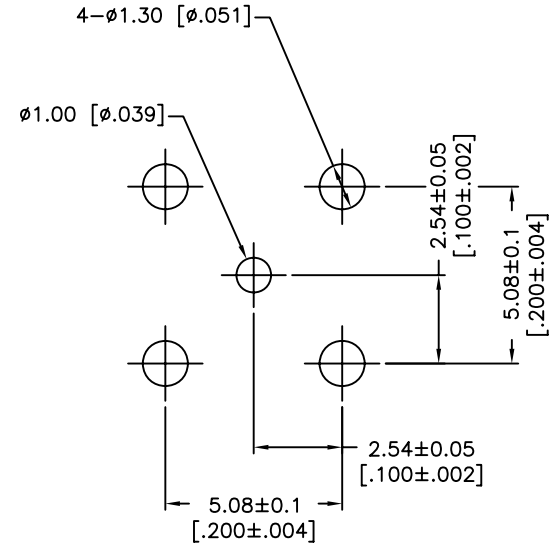
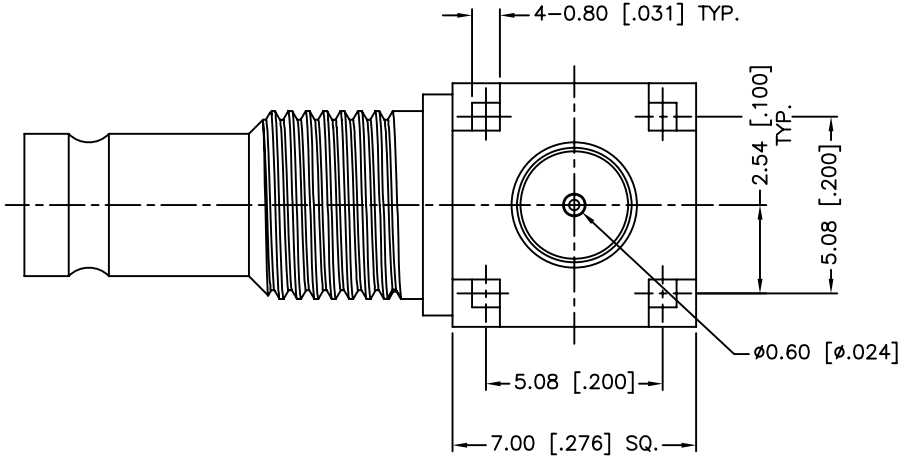
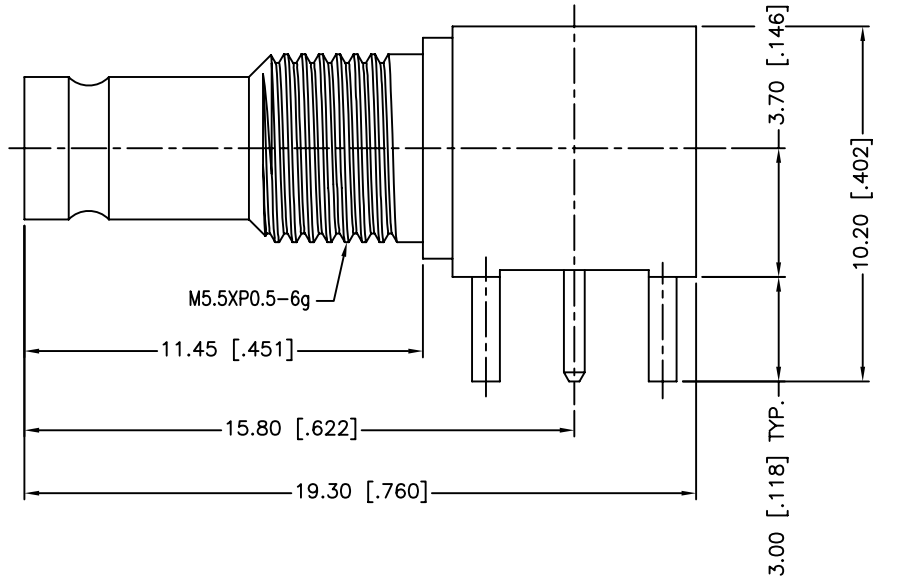


REV.	DATE	ECR NO.	DESCRIPTION
NC	03/19/10	XXXXXX	INITIAL RELEASE



RECOMMENDED MOUNTING HOLE

1. FREQUENCY RANGE: DC 0-3 GHz
2. VSWR(RETURN LOSS): 1.15, MAX.

DESCRIPTION	MATERIAL	FINISH	QTY
6 COVER	BRASS	GOLD	1
5 CONTACT PIN	BRASS	GOLD	1
4 INSULATOR	PTFE	NATURAL	1
3 INSULATOR	PTFE	NATURAL	1
2 CONTACT PIN	BER. COPPER	GOLD	1
1 BODY	BRASS	GOLD	1

UNLESS OTHERWISE SPECIFIED DIMENSIONS ARE IN MILLIMETERS. DIMENSIONS IN [ ] ARE IN INCHES AND FOR CUSTOMER REFERENCE ONLY.

UNLESS OTHERWISE SPECIFIED TOLERANCES FOR MILLIMETERS ARE:  
0.5 - 8mm ± 0.20mm  
8 - 30mm ± 0.40mm  
30 - 120mm ± 0.50mm

UNLESS OTHERWISE SPECIFIED TOLERANCES FOR INCHES ARE:  
.020 - .315 = ± 0.007"  
.315 - 1.180 = ± 0.015"  
1.180 - 4.724 = ± 0.020"

DO NOT SCALE DRAWING

APPROVALS	DATE
DRAWN M.ZHANG	03/19/10
CHECKED	
ISSUED	
SHEET 1 OF 1	
CAD FILE C:/CONNEX/282100-75.DWG	

**Amphenol Connex**

PART DESCRIPTION  
**1.0/2.3 R/A BULKHEAD PCB RECEPT. JACK (75 ohm)**

PART NO. **282100-75**

DWG. NO. 282100-75.DWG    REV. D    SIZE A    SCALE NA

# Mouser Electronics

Authorized Distributor

Click to View Pricing, Inventory, Delivery & Lifecycle Information:

[Amphenol:](#)

[282100-75](#)