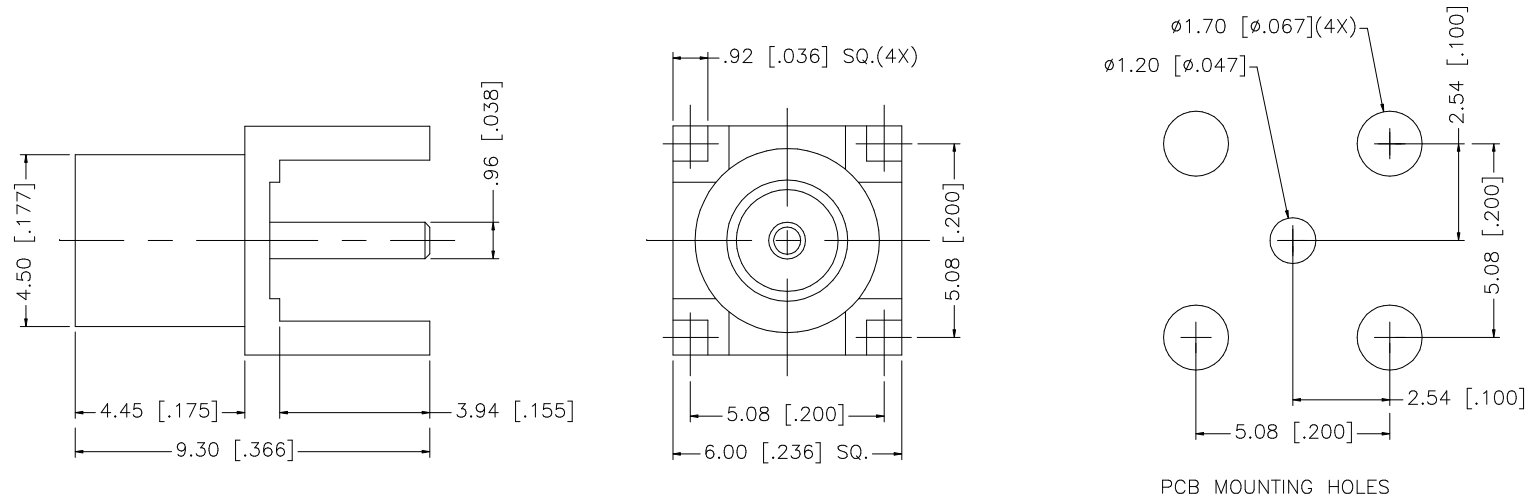


REV.	DATE	DESCRIPTION
A	02/08/03	UPDATE DRAWING FORMAT



PCB MOUNTING HOLES

				UNLESS OTHERWISE SPECIFIED DIMENSIONS ARE IN MILLIMETERS. DIMENSIONS IN [] ARE IN INCHES AND FOR CUSTOMER REFERENCE ONLY.	APPROVALS	DATE	Amphenol Connex								
8					DRAWN	G.R.S.	02/08/03	PART DESCRIPTION MCX P.C. BOARD RECEPTACLE JACK (3.94 [.155"] LEGS – SHORT BODY)							
7					CHECKED										
6					ISSUED			PART NO. 252105							
5					SHEET	1 OF 1									
4					CAD FILE		C:/225/252105..DWG	DWG. NO.	252105.DWG	REV.	A	SIZE	A	SCALE	NA
3	CONTACT PIN	BER. COPPER	GOLD	1	UNLESS OTHERWISE SPECIFIED TOLERANCES FOR MILLIMETERS ARE: 0.5 – 8mm ± 0.20mm 8 – 30mm ± 0.40mm 30 – 120mm ± 0.50mm			DO NOT SCALE DRAWING							
2	INSULATOR	TEFLON	NATURAL	1	UNLESS OTHERWISE SPECIFIED TOLERANCES FOR INCHES ARE: .020 – .315 = ± 0.007" .315 – 1.180 = ± 0.015" 1.180 – 4.724 = ± 0.020"										
1	BODY	BRASS	GOLD	1											
DESCRIPTION				MATERIAL	FINISH	QTY									

Mouser Electronics

Authorized Distributor

Click to View Pricing, Inventory, Delivery & Lifecycle Information:

[Amphenol:](#)

[252105](#)