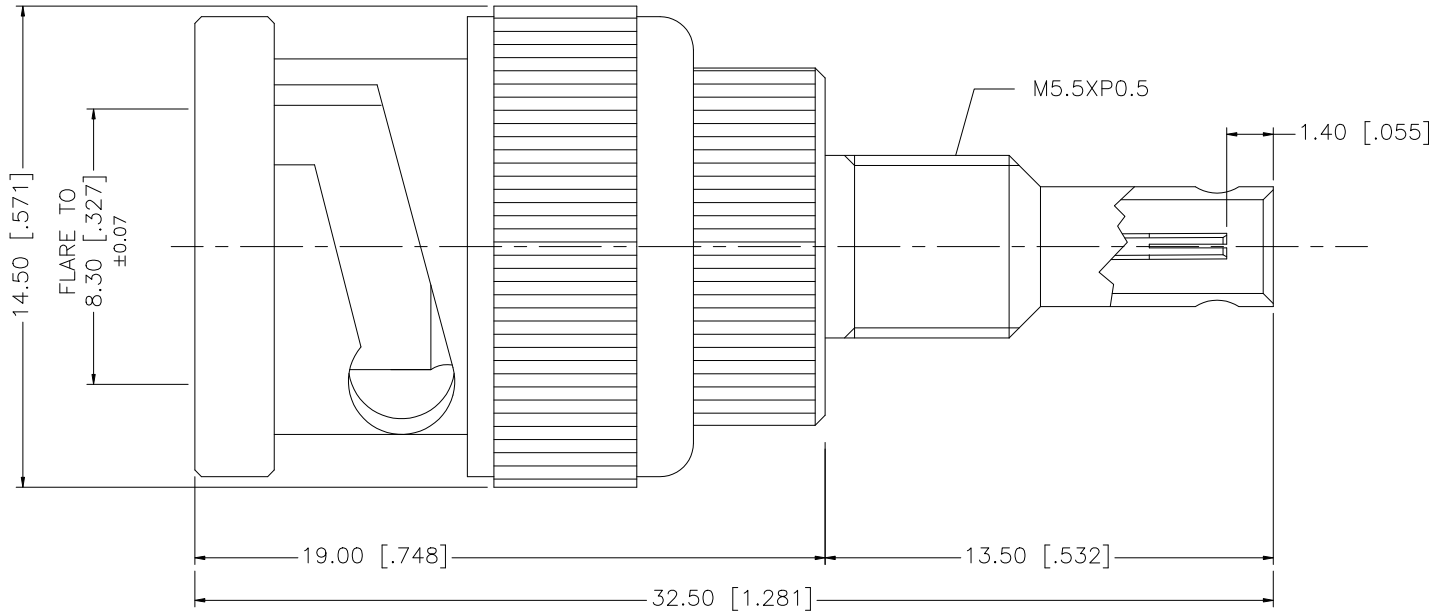


REV.	DATE	DESCRIPTION
NC	07/24/07	INITIAL RELEASE



8					<p>UNLESS OTHERWISE SPECIFIED DIMENSIONS ARE IN MILLIMETERS. DIMENSIONS IN [ ] ARE IN INCHES AND FOR CUSTOMER REFERENCE ONLY.</p> <p>UNLESS OTHERWISE SPECIFIED TOLERANCES FOR MILLIMETERS ARE:  0.5 - 8mm ± 0.20mm  8 - 30mm ± 0.40mm  30 - 120mm ± 0.50mm</p> <p>UNLESS OTHERWISE SPECIFIED TOLERANCES FOR INCHES ARE:  .020 - .315 = ± 0.007"  .315 - 1.180 = ± 0.015"  1.180 - 4.724 = ± 0.020"</p> <p>DO NOT SCALE DRAWING</p>	APPROVALS	DATE	<h1 style="color: blue; text-align: center;">Amphenol Connex</h1>				
7						DRAWN	G.R.S.					07/24/07
6							CHECKED		PART DESCRIPTION			
5							ISSUED		BNC PLUG TO 1.0/2.3 FEMALE ADAPTER			
4						SHEET	1 OF 1	PART NO.				
3	CONTACT PIN	BER. COPPER	GOLD	1				242231-75				
2	INSULATOR	TEFLON	NATURAL	1				DWG. NO. 242231-75.DWG				
1	BODY	BRASS	GOLD	1				REV. NC	SIZE A	SCALE NA		
	DESCRIPTION	MATERIAL	FINISH	QTY			CAD FILE					
							C:/242/242231-75.DWG					

# Mouser Electronics

Authorized Distributor

Click to View Pricing, Inventory, Delivery & Lifecycle Information:

[Amphenol:](#)

[242231-75](#)