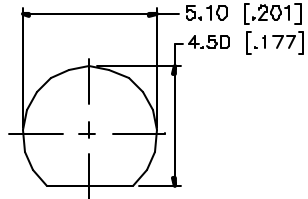
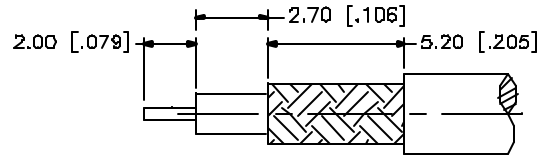


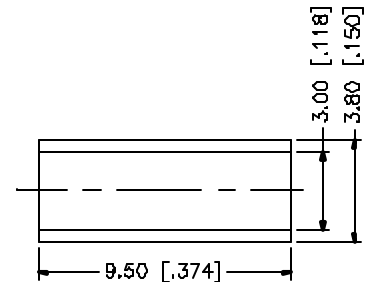
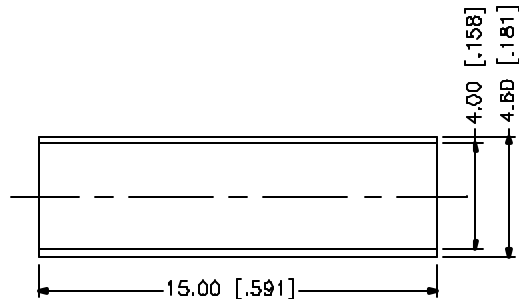
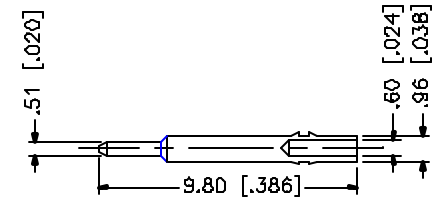
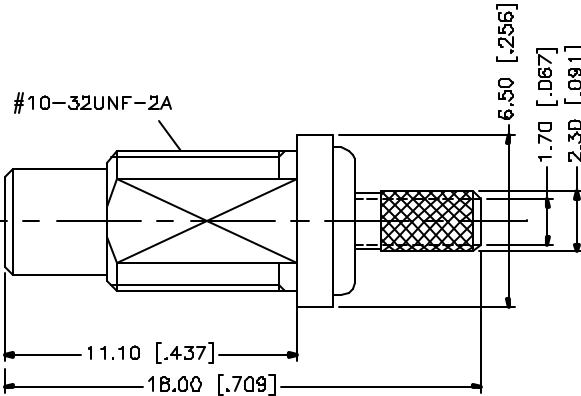
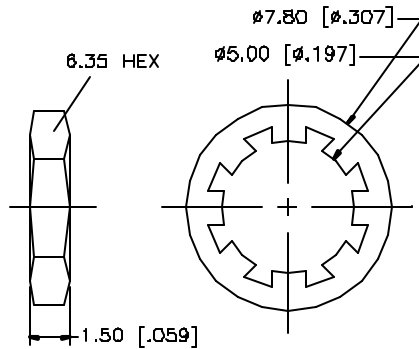
REV.	DATE	DESCRIPTION
A	03/27/05	UPDATE DRAWING FORMAT



RECOMMENDED MOUNTING HOLE



RECOMMENDED CABLE STRIPPING DIMS.



NOTES:

1. CRIMPED FERRULE
HEX CRIMP SIZE .128"
2. MAX. PANEL THICKNESS = 2.4mm

QTY	DESCRIPTION	MATERIAL	FINISH	QTY	DO NOT SCALE DRAWING	APPROVALS	DATE	Amphenol Connex								
8					UNLESS OTHERWISE SPECIFIED DIMENSIONS ARE IN MILLIMETERS DIMENSIONS IN [] ARE IN INCHES AND FOR CUSTOMER REFERENCE ONLY.			PART DESCRIPTION SMC BULKHEAD CRIMP JACK (FOR RG-174/U, 188A/U, 316/U)								
7	HEAT SHRINK TUBE			1	UNLESS OTHERWISE SPECIFIED TOLERANCES FOR MILLIMETERS ARE: 0.5 - 8mm ± 0.20mm 8 - 30mm ± 0.40mm 30 - 120mm ± 0.60mm	DRAWN	G.R.S.				03/27/05					
6	HEX NUT	BRASS	GOLD	1	UNLESS OTHERWISE SPECIFIED TOLERANCES FOR INCHES ARE: .020 - .315 = ± 0.007" .315 - 1.180 = ± 0.015" 1.180 - 4.724 = ± 0.020"	CHECKED			PART NO. 152105							
5	LOCK WASHER	BRASS	GOLD	1		ISSUED			DWG. NO. 152105.DWG							
4	FERRULE	COPPER	GOLD	1		SHEET	1 OF 1		REV	A	SIZE	A	SCALE	NA		
3	CONTACT PIN	BRASS	GOLD	1												
2	INSULATOR	TEFLON	NATURAL	1												
1	BODY	BRASS	GOLD	1												
	DESCRIPTION	MATERIAL	FINISH	QTY	DO NOT SCALE DRAWING	CAD FILE	C:/152/152105.DWG		DWG. NO.	152105.DWG	REV	A	SIZE	A	SCALE	NA

Mouser Electronics

Authorized Distributor

Click to View Pricing, Inventory, Delivery & Lifecycle Information:

[Amphenol:](#)

[152105](#)