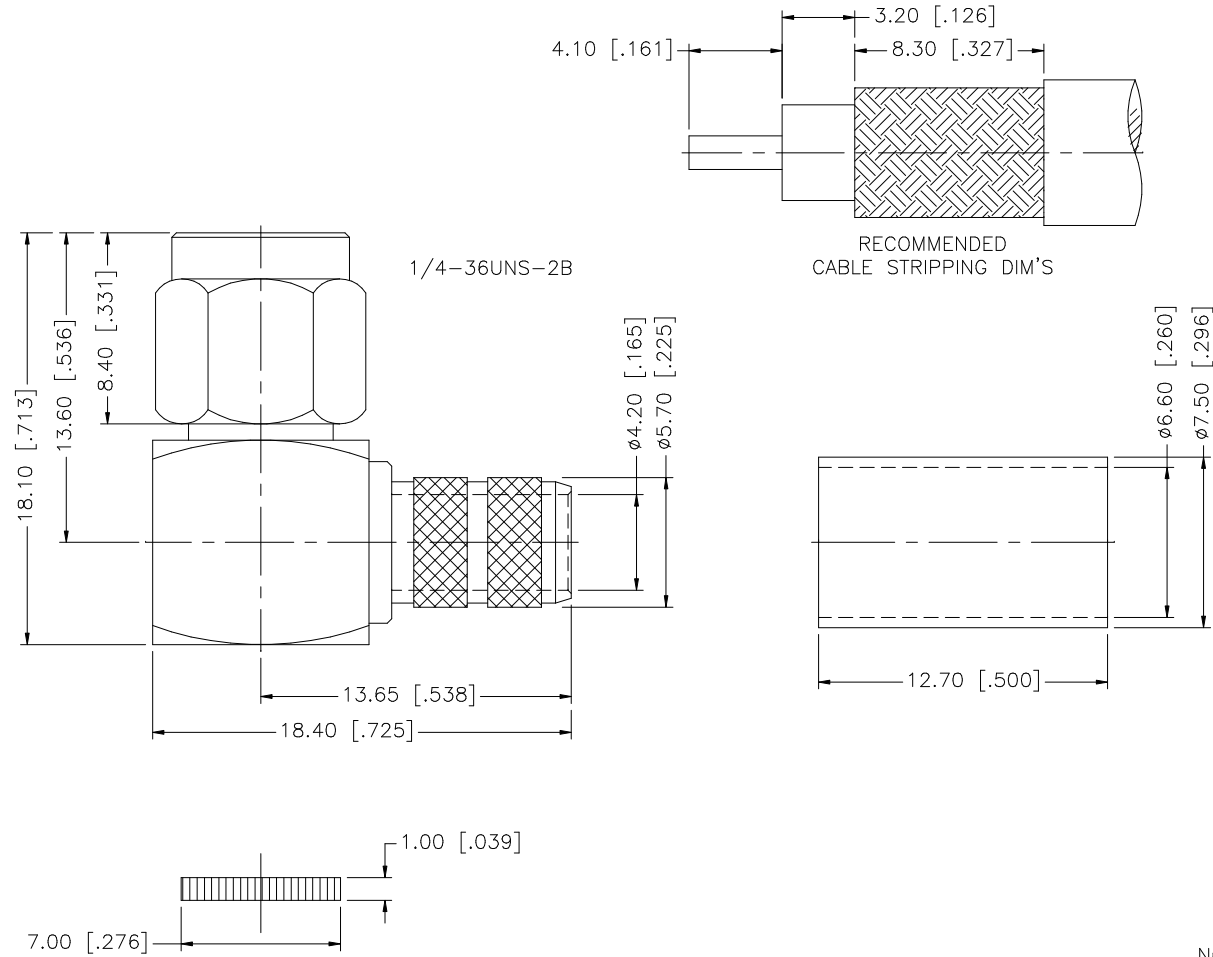


REV.	DATE	DESCRIPTION
A	01/25/04	UPDATE DRAWING FORMAT



NOTE:  
1. CRIMPED FERRULE  
HEX CRIMP SIZE .255"

REV.	DATE	DESCRIPTION
A	01/25/04	UPDATE DRAWING FORMAT
8		
7		
6		
5	FERRULE	COPPER
4	COVER	BRASS
3	CONTACT PIN	BRASS
2	INSULATOR	TEFLON
1	BODY	BRASS
	DESCRIPTION	MATERIAL
		FINISH
		QTY
UNLESS OTHERWISE SPECIFIED DIMENSIONS ARE IN MILLIMETERS. DIMENSIONS IN [ ] ARE IN INCHES AND FOR CUSTOMER REFERENCE ONLY.		
UNLESS OTHERWISE SPECIFIED TOLERANCES FOR MILLIMETERS ARE: 0.5 - 8mm ± 0.20mm 8 - 30mm ± 0.40mm 30 - 120mm ± 0.50mm		
UNLESS OTHERWISE SPECIFIED TOLERANCES FOR INCHES ARE: .020 - .315 = ± 0.007" .315 - 1.180 = ± 0.015" 1.180 - 4.724 = ± 0.020"		
DO NOT SCALE DRAWING		
APPROVALS		DATE
DRAWN G.R.S.		01/25/04
CHECKED		
ISSUED		
SHEET 1 OF 1		
CAD FILE		
C:/132/132239.DWG		
PART DESCRIPTION		
SMA R/A CRIMP PLUG (FOR RG-8X, LMR-240)		
PART NO. 132239		
DWG. NO.	132239.DWG	REV. A
SIZE	A	SCALE NA

**Amphenol Connex**

# Mouser Electronics

Authorized Distributor

Click to View Pricing, Inventory, Delivery & Lifecycle Information:

[Amphenol:](#)

[132239](#)