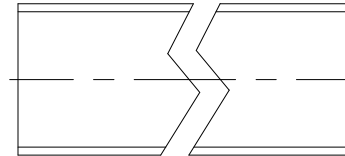
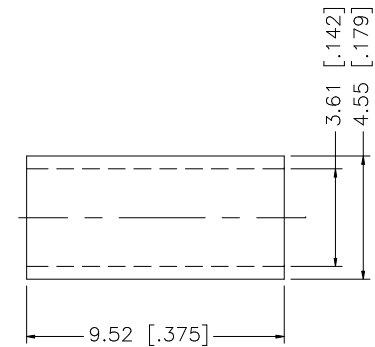
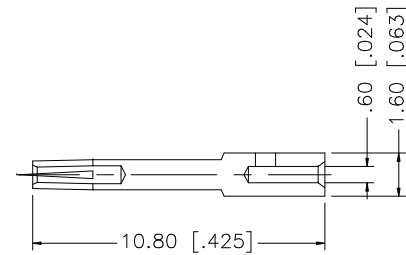
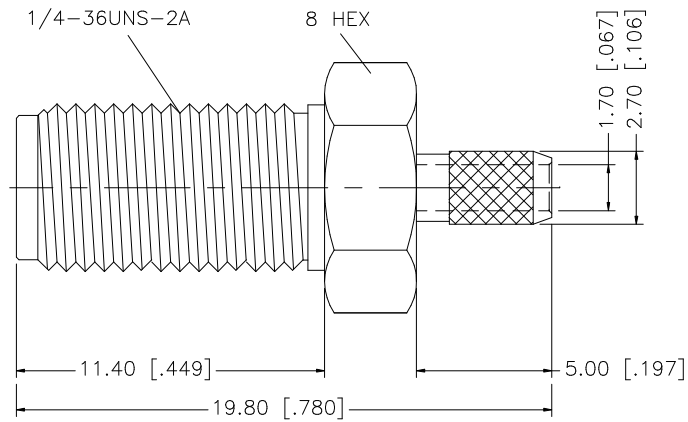
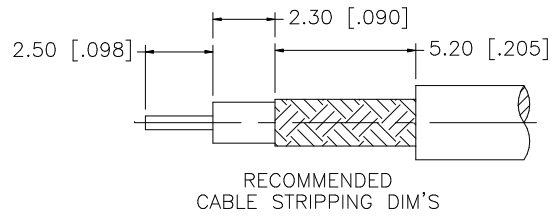


| REV. | DATE | DESCRIPTION |
|------|----------|-----------------------|
| A-1 | 01/25/04 | UPDATE DRAWING FORMAT |



NOTE:

1. CRIMPED FERRULE
HEX CRIMP SIZE .151"
2. CONTACT PIN TO SOLDER
3. MAX. PANEL THICKNESS = 3.2mm

| REV. | DATE | DESCRIPTION |
|---|--------------------|-----------------------|
| A-1 | 01/25/04 | UPDATE DRAWING FORMAT |
| 8 | | |
| 7 | | |
| 6 | | |
| 5 | HEAT SHRINK TUBING | BLACK 1 |
| 4 | FERRULE | COPPER GOLD 1 |
| 3 | CONTACT PIN | BER. COPPER GOLD 1 |
| 2 | INSULATOR | TEFLON NATURAL 1 |
| 1 | BODY | BRASS GOLD 1 |
| | DESCRIPTION | MATERIAL FINISH QTY |
| <small>UNLESS OTHERWISE SPECIFIED DIMENSIONS ARE IN MILLIMETERS. DIMENSIONS IN [] ARE IN INCHES AND FOR CUSTOMER REFERENCE ONLY.</small> <small>UNLESS OTHERWISE SPECIFIED TOLERANCES FOR MILLIMETERS ARE: 0.5 - 8mm ± 0.20mm 8 - 30mm ± 0.40mm 30 - 120mm ± 0.50mm</small> <small>UNLESS OTHERWISE SPECIFIED TOLERANCES FOR INCHES ARE: .020 - .315 = ± 0.007" .315 - 1.180 = ± 0.015" 1.180 - 4.724 = ± 0.020"</small> | | |
| DO NOT SCALE DRAWING | | |
| APPROVALS | | DATE |
| DRAWN G.R.S. | | 01/25/04 |
| CHECKED | | |
| ISSUED | | |
| SHEET 1 OF 1 | | |
| CAD FILE C:/132/132198.DWG | | |
| Amphenol Connex | | |
| PART DESCRIPTION | | |
| SMA STRAIGHT CRIMP JACK (FOR RG-316/U DOUBLE BRAID CABLE) | | |
| PART NO. | | |
| 132198 | | |
| DWG. NO. | 132198.DWG | REV. A-1 |
| SIZE | A | SCALE NA |

Mouser Electronics

Authorized Distributor

Click to View Pricing, Inventory, Delivery & Lifecycle Information:

[Amphenol:](#)

[132198](#)