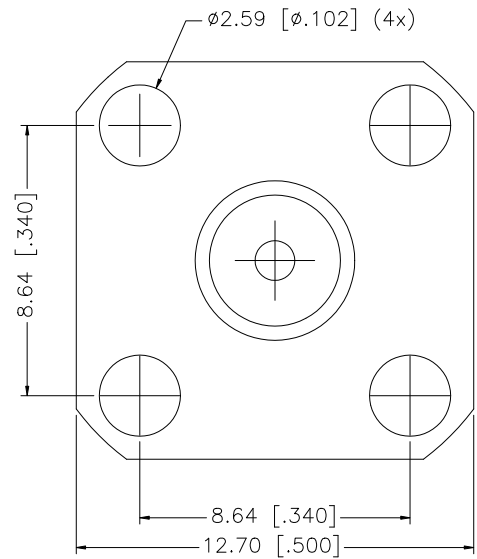
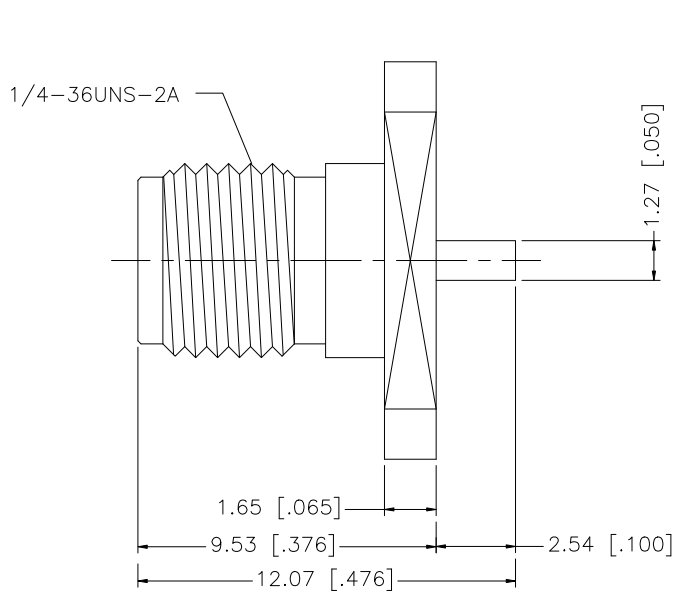


REV.	DATE	DESCRIPTION
A	08/20/98	ADD TEFLON INSULATOR
B	05/01/04	UPDATE DRAWING FORMAT
C	10/10/07	REMOVE CHAMFER FROM CENTER CONTACT



8				<small>UNLESS OTHERWISE SPECIFIED DIMENSIONS ARE IN MILLIMETERS. DIMENSIONS IN [] ARE IN INCHES AND FOR CUSTOMER REFERENCE ONLY.</small> <small>UNLESS OTHERWISE SPECIFIED TOLERANCES FOR MILLIMETERS ARE:</small> 0.5 - 8mm ± 0.20mm 8 - 30mm ± 0.40mm 30 - 120mm ± 0.50mm <small>UNLESS OTHERWISE SPECIFIED TOLERANCES FOR INCHES ARE:</small> .020 - .315 = ± 0.007" .315 - 1.180 = ± 0.015" 1.180 - 4.724 = ± 0.020" DO NOT SCALE DRAWING	APPROVALS	DATE	<h1 style="color: blue;">Amphenol Connex</h1>		
7			DRAWN		G.R.S.	10/10/07		PART DESCRIPTION SMA PANEL RECEPTACLE JACK	
6			CHECKED						
5			ISSUED						
4				SHEET	1 OF 1		PART NO. 132150		
3	CONTACT PIN	BER. COPPER	GOLD	1					
2	INSULATOR	TEFLON	NATURAL	1			DWG. NO. 132150.DWG		
1	BODY	BRASS	GOLD	1					
	DESCRIPTION	MATERIAL	FINISH	QTY	CAD FILE C:/132/132150.DWG		REV. C	SIZE A	SCALE NA

Mouser Electronics

Authorized Distributor

Click to View Pricing, Inventory, Delivery & Lifecycle Information:

[Amphenol:](#)

[132150](#)