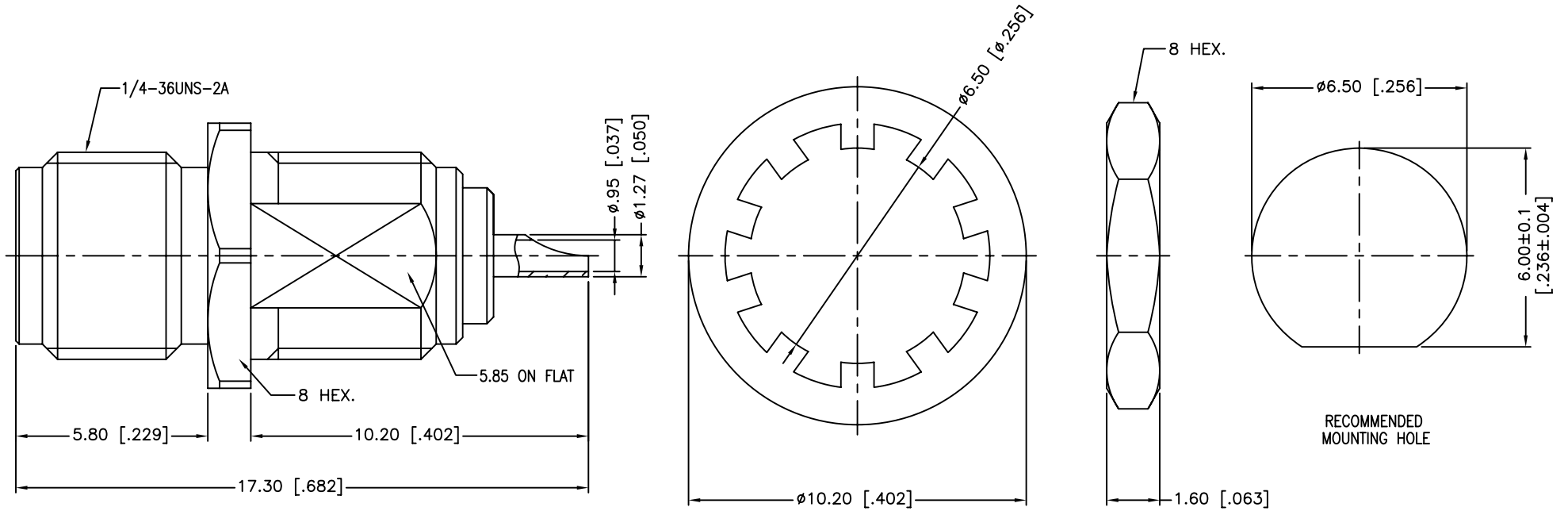


REV.	DATE	ECR NO.	DESCRIPTION
NC	10/29/10	XXXXXX	INITIAL RELEASE



1. MAX. PANEL THICKNESS=2.5mm

<small>UNLESS OTHERWISE SPECIFIED DIMENSIONS ARE IN MILLIMETERS. DIMENSIONS IN [ ] ARE IN INCHES AND FOR CUSTOMER REFERENCE ONLY.</small> <small>UNLESS OTHERWISE SPECIFIED TOLERANCES FOR MILLIMETERS ARE:  0.5 - 8mm ± 0.20mm  8 - 30mm ± 0.40mm  30 - 120mm ± 0.50mm</small> <small>UNLESS OTHERWISE SPECIFIED TOLERANCES FOR INCHES ARE:  .020 - .315 = ± 0.007"  .315 - 1.180 = ± 0.015"  1.180 - 4.724 = ± 0.020"</small>				APPROVALS		DATE		<h1 style="color: blue; text-align: center;">Amphenol Connex</h1>																																																				
				DRAWN M.ZHANG		10/29/10																																																						
<small>DO NOT SCALE DRAWING</small>				CHECKED		PART DESCRIPTION		<h2 style="text-align: center;">SMA BULKHEAD RECEPT. JACK</h2>																																																				
				ISSUED		SHEET 1 OF 1																																																						
<small>DO NOT SCALE DRAWING</small>				CAD FILE		PART NO.		<h2 style="text-align: center;">132137</h2>																																																				
				F:/CONNEX/132137.DWG		DWG. NO.					132137.DWG																																																	
<table border="1" style="width: 100%; border-collapse: collapse;"> <tr> <th>5</th> <th>HEX NUT</th> <th>BRASS</th> <th>GOLD</th> <th>1</th> </tr> <tr> <th>4</th> <th>LOCK WASHER</th> <th>BRASS</th> <th>GOLD</th> <th>1</th> </tr> <tr> <th>3</th> <th>CONTACT PIN</th> <th>BERYLLIUM COPPER</th> <th>GOLD</th> <th>1</th> </tr> <tr> <th>2</th> <th>INSULATOR</th> <th>PTFE</th> <th>NATURAL</th> <th>1</th> </tr> <tr> <th>1</th> <th>BODY</th> <th>BRASS</th> <th>GOLD</th> <th>1</th> </tr> </table>				5	HEX NUT	BRASS	GOLD	1	4	LOCK WASHER	BRASS	GOLD	1	3	CONTACT PIN	BERYLLIUM COPPER	GOLD	1	2	INSULATOR	PTFE	NATURAL	1	1	BODY	BRASS	GOLD	1	<table border="1" style="width: 100%; border-collapse: collapse;"> <tr> <th>REV.</th> <th>DATE</th> <th>ECR NO.</th> <th>DESCRIPTION</th> </tr> <tr> <td>NC</td> <td>10/29/10</td> <td>XXXXXX</td> <td>INITIAL RELEASE</td> </tr> </table>		REV.	DATE	ECR NO.	DESCRIPTION	NC	10/29/10	XXXXXX	INITIAL RELEASE	<table border="1" style="width: 100%; border-collapse: collapse;"> <tr> <th>REV.</th> <th>DATE</th> <th>ECR NO.</th> <th>DESCRIPTION</th> </tr> <tr> <td>NC</td> <td>10/29/10</td> <td>XXXXXX</td> <td>INITIAL RELEASE</td> </tr> </table>			REV.	DATE	ECR NO.	DESCRIPTION	NC	10/29/10	XXXXXX	INITIAL RELEASE	<table border="1" style="width: 100%; border-collapse: collapse;"> <tr> <th>REV.</th> <th>DATE</th> <th>ECR NO.</th> <th>DESCRIPTION</th> </tr> <tr> <td>NC</td> <td>10/29/10</td> <td>XXXXXX</td> <td>INITIAL RELEASE</td> </tr> </table>			REV.	DATE	ECR NO.	DESCRIPTION	NC	10/29/10	XXXXXX	INITIAL RELEASE
5	HEX NUT	BRASS	GOLD	1																																																								
4	LOCK WASHER	BRASS	GOLD	1																																																								
3	CONTACT PIN	BERYLLIUM COPPER	GOLD	1																																																								
2	INSULATOR	PTFE	NATURAL	1																																																								
1	BODY	BRASS	GOLD	1																																																								
REV.	DATE	ECR NO.	DESCRIPTION																																																									
NC	10/29/10	XXXXXX	INITIAL RELEASE																																																									
REV.	DATE	ECR NO.	DESCRIPTION																																																									
NC	10/29/10	XXXXXX	INITIAL RELEASE																																																									
REV.	DATE	ECR NO.	DESCRIPTION																																																									
NC	10/29/10	XXXXXX	INITIAL RELEASE																																																									
<table border="1" style="width: 100%; border-collapse: collapse;"> <tr> <th>DESCRIPTION</th> <th>MATERIAL</th> <th>FINISH</th> <th>QTY</th> </tr> <tr> <td>HEX NUT</td> <td>BRASS</td> <td>GOLD</td> <td>1</td> </tr> <tr> <td>LOCK WASHER</td> <td>BRASS</td> <td>GOLD</td> <td>1</td> </tr> <tr> <td>CONTACT PIN</td> <td>BERYLLIUM COPPER</td> <td>GOLD</td> <td>1</td> </tr> <tr> <td>INSULATOR</td> <td>PTFE</td> <td>NATURAL</td> <td>1</td> </tr> <tr> <td>BODY</td> <td>BRASS</td> <td>GOLD</td> <td>1</td> </tr> </table>				DESCRIPTION	MATERIAL	FINISH	QTY	HEX NUT	BRASS	GOLD	1	LOCK WASHER	BRASS	GOLD	1	CONTACT PIN	BERYLLIUM COPPER	GOLD	1	INSULATOR	PTFE	NATURAL	1	BODY	BRASS	GOLD	1	<table border="1" style="width: 100%; border-collapse: collapse;"> <tr> <th>REV.</th> <th>DATE</th> <th>ECR NO.</th> <th>DESCRIPTION</th> </tr> <tr> <td>NC</td> <td>10/29/10</td> <td>XXXXXX</td> <td>INITIAL RELEASE</td> </tr> </table>		REV.	DATE	ECR NO.	DESCRIPTION	NC	10/29/10	XXXXXX	INITIAL RELEASE	<table border="1" style="width: 100%; border-collapse: collapse;"> <tr> <th>REV.</th> <th>DATE</th> <th>ECR NO.</th> <th>DESCRIPTION</th> </tr> <tr> <td>NC</td> <td>10/29/10</td> <td>XXXXXX</td> <td>INITIAL RELEASE</td> </tr> </table>			REV.	DATE	ECR NO.	DESCRIPTION	NC	10/29/10	XXXXXX	INITIAL RELEASE	<table border="1" style="width: 100%; border-collapse: collapse;"> <tr> <th>REV.</th> <th>DATE</th> <th>ECR NO.</th> <th>DESCRIPTION</th> </tr> <tr> <td>NC</td> <td>10/29/10</td> <td>XXXXXX</td> <td>INITIAL RELEASE</td> </tr> </table>			REV.	DATE	ECR NO.	DESCRIPTION	NC	10/29/10	XXXXXX	INITIAL RELEASE	
DESCRIPTION	MATERIAL	FINISH	QTY																																																									
HEX NUT	BRASS	GOLD	1																																																									
LOCK WASHER	BRASS	GOLD	1																																																									
CONTACT PIN	BERYLLIUM COPPER	GOLD	1																																																									
INSULATOR	PTFE	NATURAL	1																																																									
BODY	BRASS	GOLD	1																																																									
REV.	DATE	ECR NO.	DESCRIPTION																																																									
NC	10/29/10	XXXXXX	INITIAL RELEASE																																																									
REV.	DATE	ECR NO.	DESCRIPTION																																																									
NC	10/29/10	XXXXXX	INITIAL RELEASE																																																									
REV.	DATE	ECR NO.	DESCRIPTION																																																									
NC	10/29/10	XXXXXX	INITIAL RELEASE																																																									

# Mouser Electronics

Authorized Distributor

Click to View Pricing, Inventory, Delivery & Lifecycle Information:

[Amphenol:](#)

[132137](#)