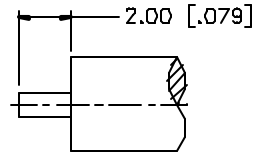
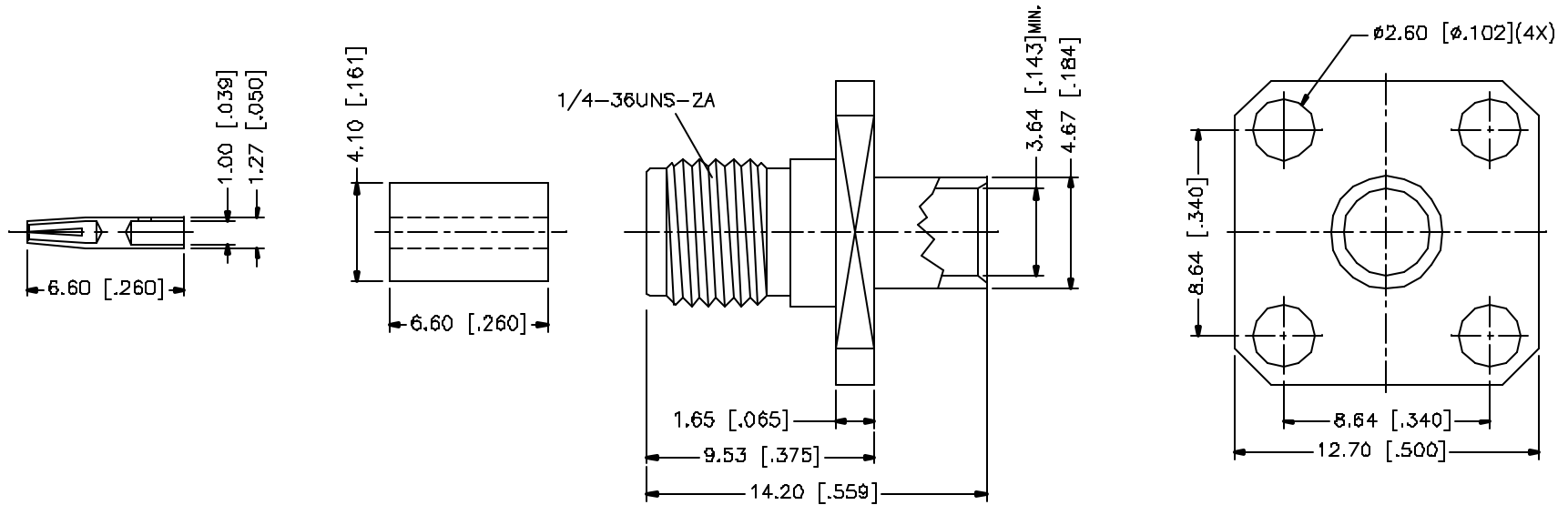


REV.	DATE	DESCRIPTION
A	05/24/05	UPDATE DRAWING FORMAT



RECOMMENDED  
CABLE STRIPPING DIM'S



					APPROVALS	DATE	<b>Amphenol Connex</b>				
8					DRAWN	G.R.S.					05/24/05
7					CHECKED			PART NO. <b>132108</b>			
6					ISSUED						
5					SHEET	1 OF 1					
4					CAD FILE	C:/132/132108.DWG					
3	CONTACT PIN	BER. COPPER	GOLD	1	<small>UNLESS OTHERWISE SPECIFIED DIMENSIONS ARE IN MILLIMETERS. DIMENSIONS IN [ ] ARE IN INCHES AND FOR CUSTOMER REFERENCE ONLY.</small> <small>UNLESS OTHERWISE SPECIFIED TOLERANCES FOR MILLIMETERS ARE:</small> 0.5 - 8mm ± 0.20mm 8 - 30mm ± 0.40mm 30 - 120mm ± 0.50mm <small>UNLESS OTHERWISE SPECIFIED TOLERANCES FOR INCHES ARE:</small> .020 - .315 = ± 0.007" .315 - 1.180 = ± 0.015" 1.180 - 4.724 = ± 0.020" <b>DO NOT SCALE DRAWING</b>						
2	INSULATOR	TEFLON	NATURAL	1							
1	BODY	BRASS	GOLD	1							
	DESCRIPTION	MATERIAL	FINISH	QTY							

# Mouser Electronics

Authorized Distributor

Click to View Pricing, Inventory, Delivery & Lifecycle Information:

[Amphenol:](#)

[132108](#)