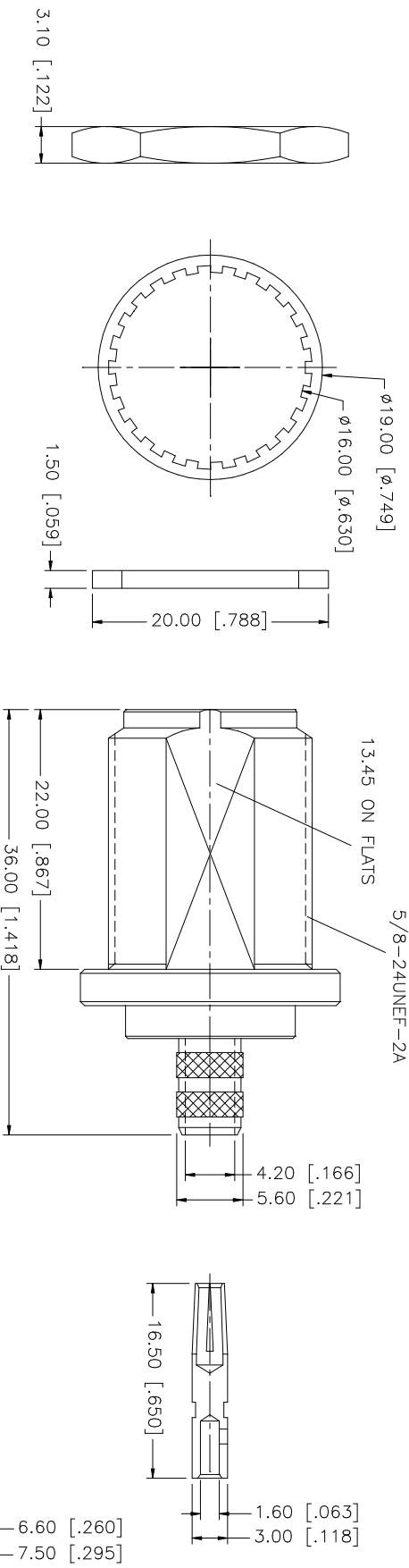


REV.	DATE	DESCRIPTION
A	01/30/04	UPDATE DRAWING FORMAT/ MODIFY STRIPPING DIMS



RECOMMENDED MOUNTING HOLE

RECOMMENDED CABLE STRIPPING DIMS.

NOTE:

1. CRIMPED FERRULE
HEX CRIMP SIZE .255"
2. CRIMPED CONTACT PIN
HEX CRIMP SIZE .100"

QTY	DESCRIPTION	MATERIAL	FINISH	QTY	DO NOT SCALE DRAWING
1	INSULATOR BODY	BRASS	NEXCOTE	1	1.180 - 4.724 = ± 0.020"
1	CONTACT PIN	PHOS. BRONZE	GOLD	1	UNLESS OTHERWISE SPECIFIED, DIMENSIONS ARE IN INCHES AND FOR CUSTOMER REFERENCE ONLY.
1	INSULATOR	TEFLON	NATURAL	1	UNLESS OTHERWISE SPECIFIED, DIMENSIONS ARE IN INCHES AND FOR CUSTOMER REFERENCE ONLY.
1	CONTACT PIN	PHOS. BRONZE	GOLD	1	UNLESS OTHERWISE SPECIFIED, DIMENSIONS ARE IN INCHES AND FOR CUSTOMER REFERENCE ONLY.
1	LOCK WASHER	BRASS	NEXCOTE	1	UNLESS OTHERWISE SPECIFIED, DIMENSIONS ARE IN INCHES AND FOR CUSTOMER REFERENCE ONLY.
1	HEX NUT	BRASS	NEXCOTE	1	UNLESS OTHERWISE SPECIFIED, DIMENSIONS ARE IN INCHES AND FOR CUSTOMER REFERENCE ONLY.
1	GASKET	SILICONE	RED	1	UNLESS OTHERWISE SPECIFIED, DIMENSIONS ARE IN INCHES AND FOR CUSTOMER REFERENCE ONLY.
1	FERRULE	COPPER	NEXCOTE	1	UNLESS OTHERWISE SPECIFIED, DIMENSIONS ARE IN INCHES AND FOR CUSTOMER REFERENCE ONLY.
8	DESCRIPTION	MATERIAL	FINISH	QTY	DO NOT SCALE DRAWING

Amphenol Connex

N BULKHEAD CRIMP JACK
(FOR 8X, LMR 240 CABLE)

172149

APPROVALS	DATE
DRAWN G.R.S.	01/30/04
CHECKED	
ISSUED	
SHEET 1 OF 1	

PART DESCRIPTION	DWG. NO.	REV.	SIZE	SCALE
N BULKHEAD CRIMP JACK (FOR 8X, LMR 240 CABLE)	172149.DWG	A	A	NA

Mouser Electronics

Authorized Distributor

Click to View Pricing, Inventory, Delivery & Lifecycle Information:

[Amphenol:](#)

[172149](#)