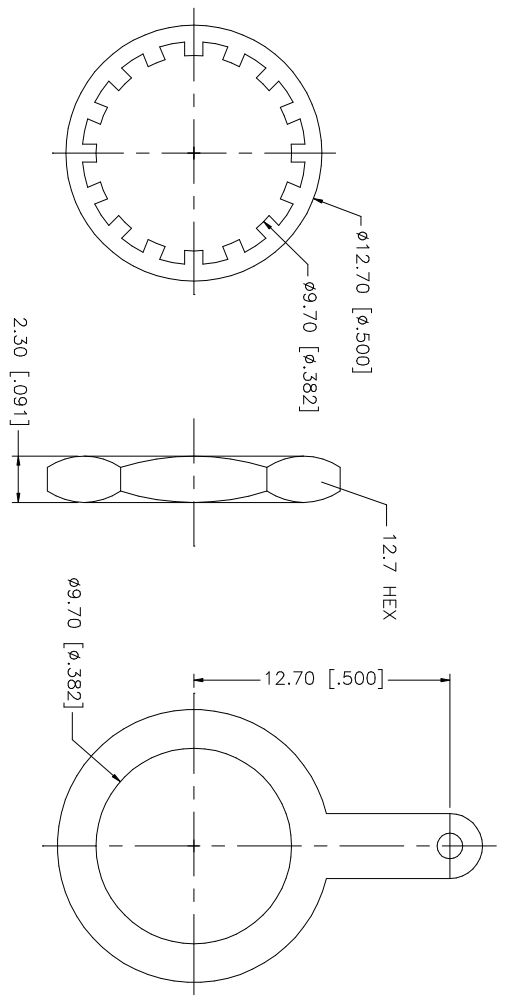
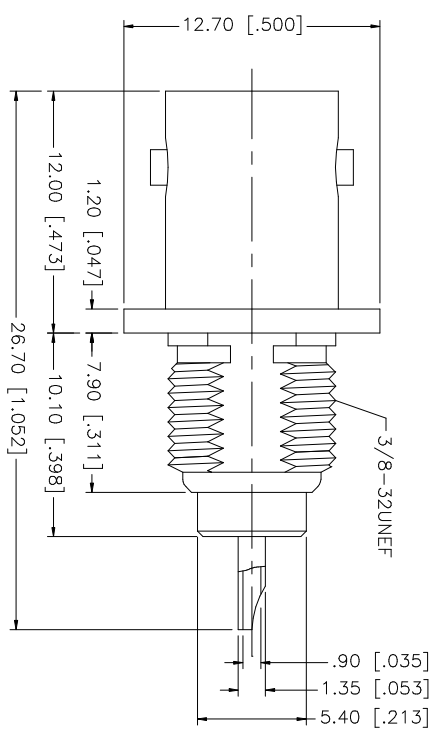
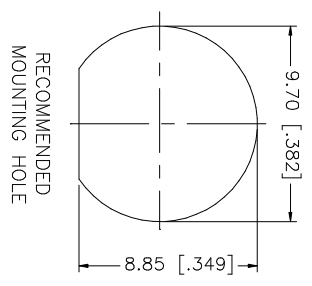


REV.	DATE	DESCRIPTION
NC	03/21/03	INITIAL RELEASE



QTY	FINISH	MATERIAL	DESCRIPTION
1	NICKEL	BRASS	SOLDER TAB
1	NICKEL	BRASS	HEX NUT
1	NICKEL	BRASS	LOCK WASHER
1	NATURAL	DELIRIN	INSULATOR
1	GOLD	PHOS. BRONZE	CONTACT PIN
1	NICKEL	BRASS	BODY
			DESCRIPTION

APPROVALS	DATE	PART DESCRIPTION
DRAWN G.R.S.	03/21/03	BNC BULKHEAD RECEPTACLE - 75 ohms
CHECKED		
ISSUED		
SHEET 1 OF 1		PART NO. 112425

DO NOT SCALE DRAWING	DWG. NO.	REV.	SIZE	SCALE
C:/112/112425.DWG	112425.DWG	NC	A	NA

Amphenol Connex

BNC BULKHEAD RECEPTACLE - 75 ohms

112425

UNLESS OTHERWISE SPECIFIED DIMENSIONS ARE IN MILLIMETERS. DIMENSIONS IN [] ARE IN INCHES AND FOR CUSTOMER REFERENCE ONLY.
 UNLESS OTHERWISE SPECIFIED TOLERANCES FOR MILLIMETERS ARE:
 0.5 - 8mm ± 0.20mm
 8 - 30mm ± 0.40mm
 30 - 120mm ± 0.50mm
 UNLESS OTHERWISE SPECIFIED TOLERANCES FOR INCHES ARE:
 .020 - .315 = ± 0.007"
 .315 - 1.180 = ± 0.015"
 1.180 - 4.724 = ± 0.020"

Mouser Electronics

Authorized Distributor

Click to View Pricing, Inventory, Delivery & Lifecycle Information:

[Amphenol:](#)

[112425](#)