

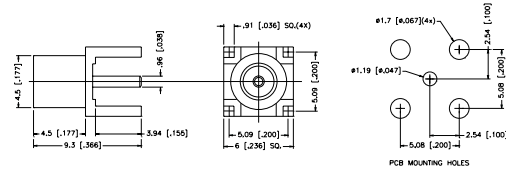
PRINTED CIRCUIT BOARD. STRAIGHT TERMINAL

For Cable Group Legend, see page 19

STRAIGHT JACK FOR PRINTED CIRCUIT BOARD

P.N.	Cable Group	Finish	Insulation	Impedance	Crimp Tool
252104	N/A	Nickel	Teflon	50	N/A
252104-01	N/A	Nickel	Teflon	50	N/A
	2.92 mm [.115"] LEGS				
252105	N/A	Gold	Teflon	50	N/A
252105-01	N/A	Gold	Teflon	50	N/A
	2.92 mm [.115"] LEGS				
252116	N/A	Nickel	Teflon	50	N/A
	SURFACE MOUNT				
252117	N/A	Gold	Teflon	50	N/A
	SURFACE MOUNT				

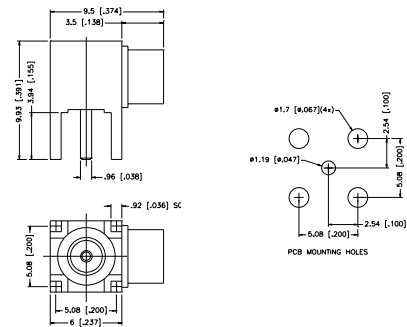
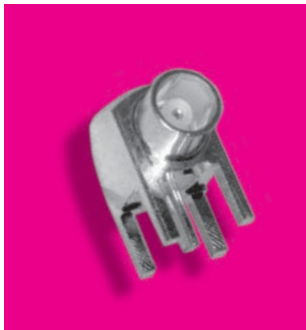
Remark: For 75 ohm connector, add -75 to part number



RIGHT ANGLE JACK FOR PRINTED CIRCUIT BOARD

P.N.	Cable Group	Finish	Insulation	Impedance	Crimp Tool
252128	N/A	Nickel	Teflon	50	N/A
252129	N/A	Gold	Teflon	50	N/A
252140	N/A	Nickel	Teflon	50	N/A
	2.92 mm [.115"] LEGS				
252141	N/A	Gold	Teflon	50	N/A
	2.92 mm [.115"] LEGS				
252142	N/A	Nickel	Teflon	50	N/A
	1.73 mm [.068"] LEGS				
252143	N/A	Gold	Teflon	50	N/A
	1.73 mm [.068"] LEGS				
252148	N/A	Nickel	Teflon	50	N/A
	SURFACE MOUNT				
252149	N/A	Gold	Teflon	50	N/A
	SURFACE MOUNT				

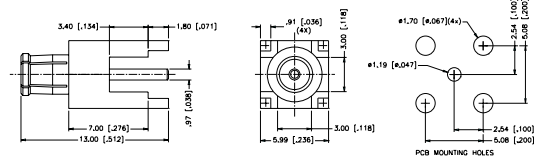
Remark: For 75 ohm connector, add -75 to part number



STRAIGHT PLUG FOR PRINTED CIRCUIT BOARD

P.N.	Cable Group	Finish	Insulation	Impedance	Crimp Tool
252152	N/A	Nickel	Teflon	50	N/A
252153	N/A	Gold	Teflon	50	N/A

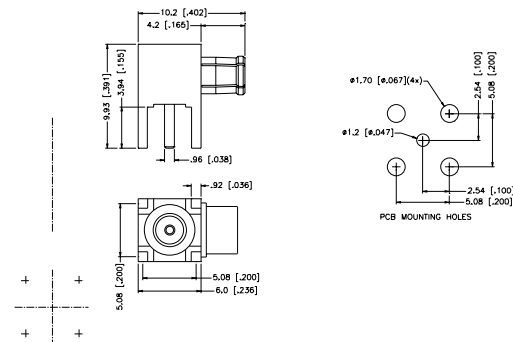
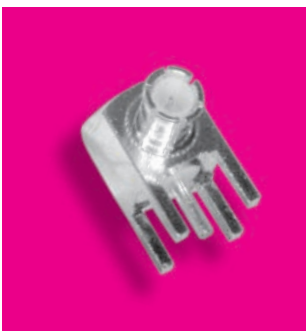
Remark: For 75 ohm connector, add -75 to part number



RIGHT ANGLE PLUG FOR PRINTED CIRCUIT BOARD

P.N.	Cable Group	Finish	Insulation	Impedance	Crimp Tool
252154	N/A	Nickel	Teflon	50	N/A
252155	N/A	Gold	Teflon	50	N/A

Remark: For 75 ohm connector, add -75 to part number



Mouser Electronics

Authorized Distributor

Click to View Pricing, Inventory, Delivery & Lifecycle Information:

[Amphenol:](#)

[252149](#)