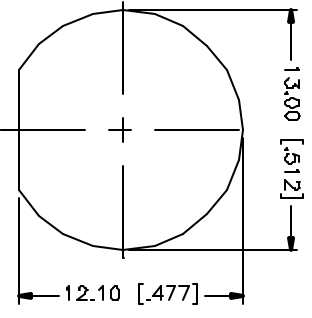
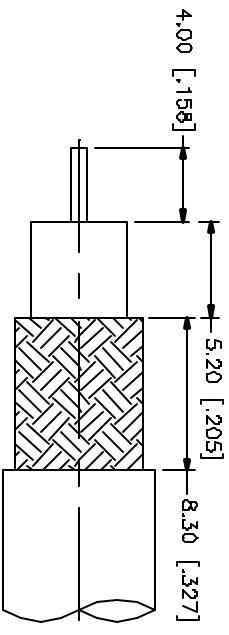


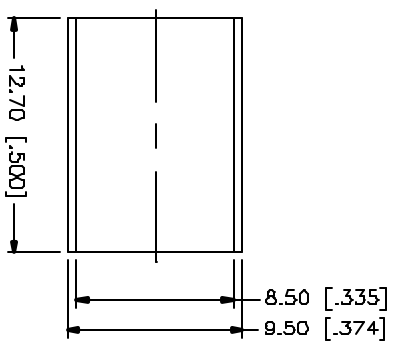
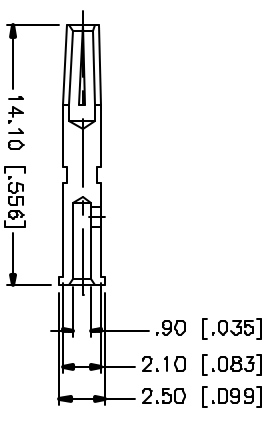
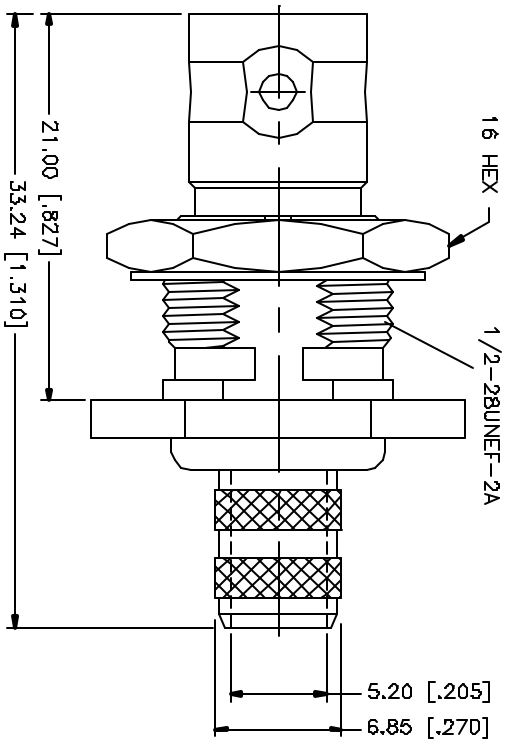
REV.	DATE	DESCRIPTION
A	03/18/05	UPDATE DRAWING FORMAT



RECOMMENDED MOUNTING HOLE



RECOMMENDED CABLE STRIPPING DIM'S



NO.	DESCRIPTION	MATERIAL	FINISH	QTY
1	BODY	BRASS	NICKEL	1
2	INSULATOR	TEFLON	NATURAL	1
3	CONTACT PIN	PHOS. BRONZE	GOLD	1
4	FERRULE	COPPER	NICKEL	1
5				
6				
7				
8				

APPROVALS	DATE
DRWEN G.R.S.	03/18/05
CHECKED	
ISSUED	
SHEET 1 OF 1	

Amphenol Connex

BNC BULKHEAD CRIMP JACK
(FOR BELDEN 8281 - 75ohm)

PART NO. 112629

DWG. NO. 112629.DWG REV. A SIZE A SCALE NA

UNLESS OTHERWISE SPECIFIED, DIMENSIONS ARE IN MILLIMETERS AND DECIMALS IN MILLIMETERS SHALL BE USED FOR SHOPPING. TOLERANCES FOR MILLIMETERS ARE:
 D.3 - 30mm ± 0.20mm
 B - 30mm ± 0.40mm
 20 - 120mm ± 0.50mm
 UNLESS OTHERWISE SPECIFIED, TOLERANCES FOR INCHES ARE:
 .020 - .315 ± 0.007"
 .315 - 1.180 ± 0.015"
 1.180 - 4.724 ± 0.020"
 DO NOT SCALE DRAWING

Mouser Electronics

Authorized Distributor

Click to View Pricing, Inventory, Delivery & Lifecycle Information:

[Amphenol:](#)

[112629](#)