

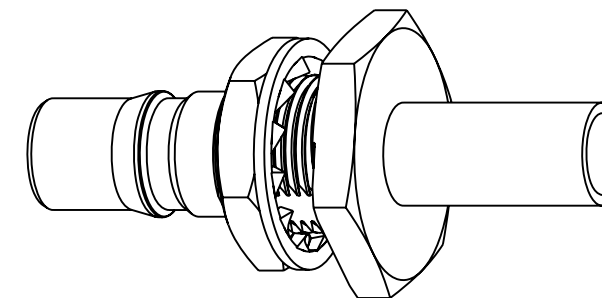
NOTES:

1. MATERIALS AND FINISHES:
 - BODY - BRASS, WHITE BRONZE PLATING (.000080" MIN THICK)
 - CONTACT - BERYLLIUM COPPER, GOLD PLATING (.000030" MIN THICK)
 - INSULATOR - PTFE
 - HEX NUT - BRASS, WHITE BRONZE PLATING (.000080" MIN THICK)
 - LOCK WASHER - PHOSPHOR BRONZE, NICKEL PLATING (.000100" MIN THICK)
 - O-RING: SILICONE RUBBER
2. ELECTRICAL:
 - A. IMPEDANCE: 50 OHM
 - B. FREQUENCY RANGE: DC - 11 GHz
 - C. VSWR(RETURN LOSS): 1.22 (20 dB) MAX 0-6 GHz
1.29 (18 dB) MAX 6-11 GHz
 - D. DIELECTRIC WITHSTANDING VOLTAGE: 1000 VRMS, MIN.
3. MECHANICAL:
 - A. DURABILITY: 100 CYCLES MIN.
 - B. TEMPERATURE RANGE: -40° C TO +85° C
4. PACKAGING:
 - A. QUANTITY: SINGLE PACK
 - B. MARKING: BAG TO BE MARKED
"AMPHENOL, 930-123J-51S, AND DATE CODE"
5. CABLE ASSEMBLY:
 - A. TRIM CABLE AS SHOWN
 - B. CRIMP USING TOOL 227-994, DIE SET 227-1221-37,
CAVITY "B" (.151 HEX)

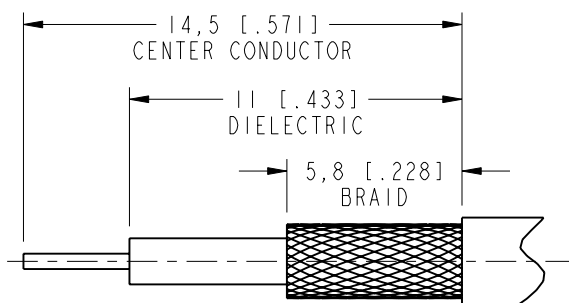
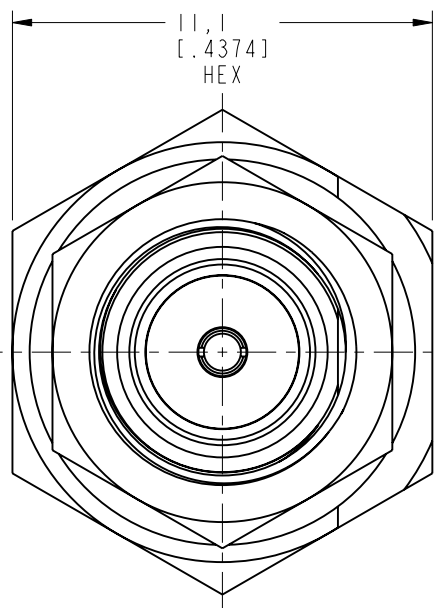
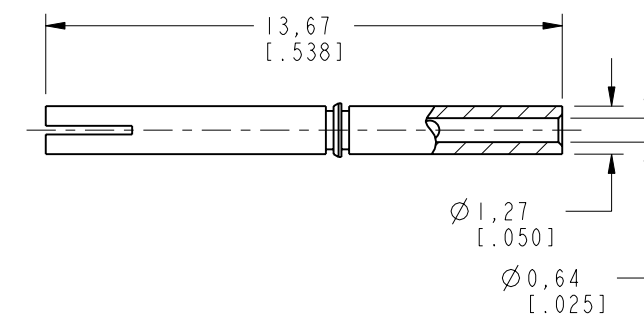
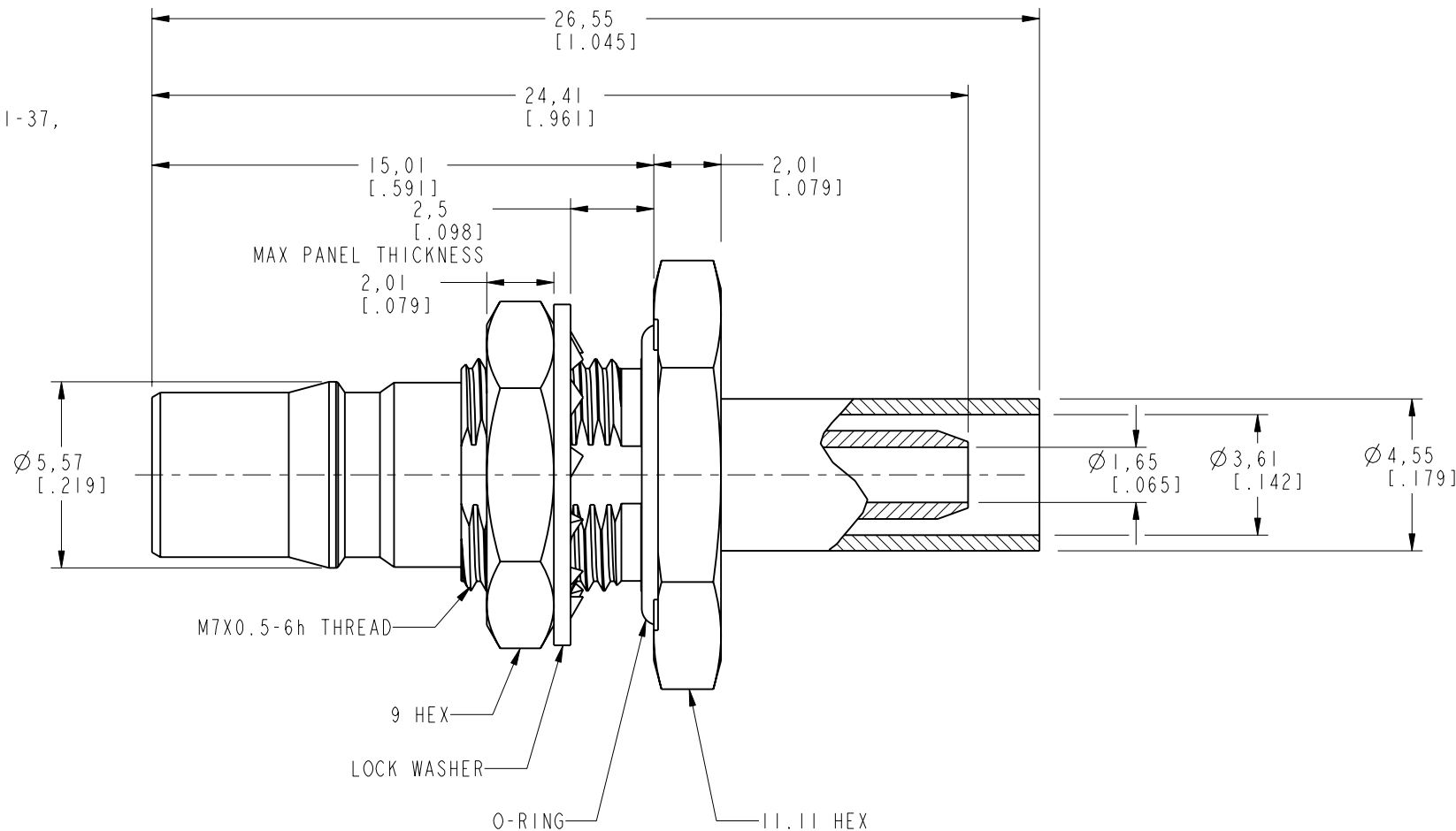
THIRD ANGLE PROJ.

REVISIONS

REV	DESCRIPTION	DATE	ECO	APPR
A	RELEASE TO MFG.	9/10/04	45139	
B	LOCK WASHER WAS CHANGED\RD-DMI3120401R3	16-Dec-13	48614	RM
C	CHANGED NOTE 5.B. 0.151" WAS 0.128"	16-Dec-13	49264	RM



SCALE 3.000



RECOMMENDED CABLE TRIM DIMENSIONS
SCALE 4.000

CUSTOMER OUTLINE DRAWING
ALL OTHER SHEETS ARE FOR INTERNAL USE ONLY

UNLESS OTHERWISE SPECIFIED, DIMENSIONS ARE IN INCHES AND TOLERANCES ARE: 2 PLACE DECIMAL ±.015 (0,381 mm) 3 PLACE DECIMAL ±.005 (0,127 mm) ANGLES ± 1°	MATERIAL	DRAWN R. MAO	DATE 09-Dec-13	TITLE QMA JACK BULKHEAD TO RD-316		Amphenol RF www.amphenolrf.com
	REFERENCE EAR# 1181 GEN# ASSYF7-QMA 615X-2017-100	ENGINEER M. HOYACK	DATE 05-Feb-04			
NOTICE - These drawings, specifications, or other data (1) are, and remain the property of Amphenol corp. (2) must be returned upon request; and (3) are confidential and not to be disclosed to any person other than those to whom they are given by Amphenol Corp. the furnishing of these drawings, specifications, or other data by Amphenol Corp., or to any other person to anyone for any purpose is not to be regarded by implication or otherwise in any manner licensing, granting rights to permitting such holder or any other person to manufacture, use or sell any product, process or design, patented or otherwise, that may in any way be related to or disclosed by said drawings, specifications, or other data.	FINISH	APPROVED S. HSIEH	DATE 16-Dec-13	SCALE: 5.0:1.0 SHEET 2 OF 2		DRAWING NO. 930-123J-51S
			CAD FILE		DWG SIZE B	REV C

Mouser Electronics

Authorized Distributor

Click to View Pricing, Inventory, Delivery & Lifecycle Information:

[Amphenol:](#)

[930-123J-51S](#)