

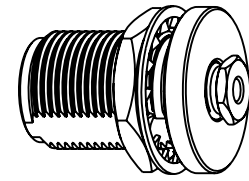
NOTES:

1. MATERIALS AND FINISHES:
 BODY - BRASS, ALBALOY PLATING
 CONTACT - BERYLLIUM COPPER & BRASS, GOLD PLATING
 INSULATOR - PTFE, NATURAL
 GASKETS - SILICONE RUBBER
2. ELECTRICAL:
 A. IMPEDANCE: 50 OHM
 B. FREQUENCY RANGE: DC-3 GHz
 C. DIELECTRIC WITHSTANDING VOLTAGE: 900 VRMS, MIN.
3. MECHANICAL:
 A. DURABILITY: 500 CYCLES MIN.
 B. TEMPERATURE RANGE: -65°C TO 165°C
4. CONTACT PIN TO SOLDER
5. MAX. PANEL THICKNESS=6.5MM

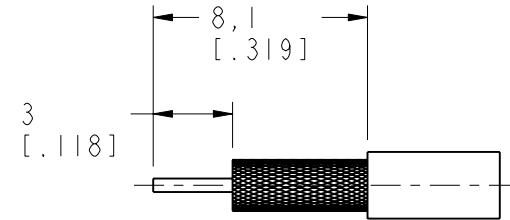
THIRD ANGLE PROJ.

REVISIONS

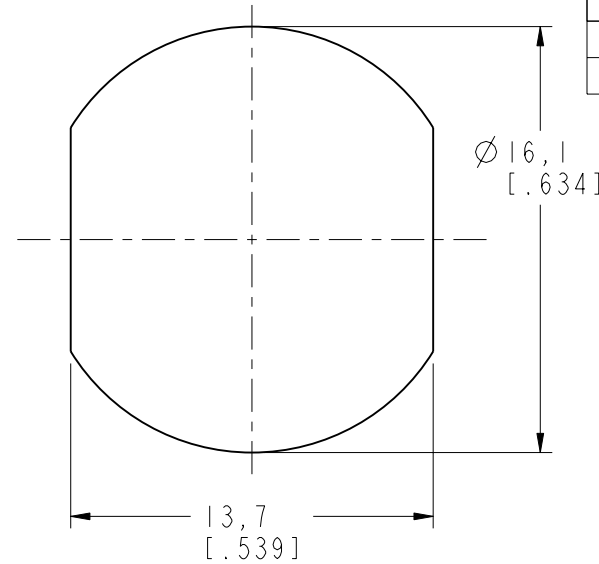
REV	DESCRIPTION	DATE	ECO	APPR
NC	INITIAL RELEASE	11-Sep-98	----	GRS
A	UPDATE DRAWING FORMAT	01-May-04	----	GRS
B	SYNCH THE DRAWING WITH ARFA	15-Apr-14	2736	MZ



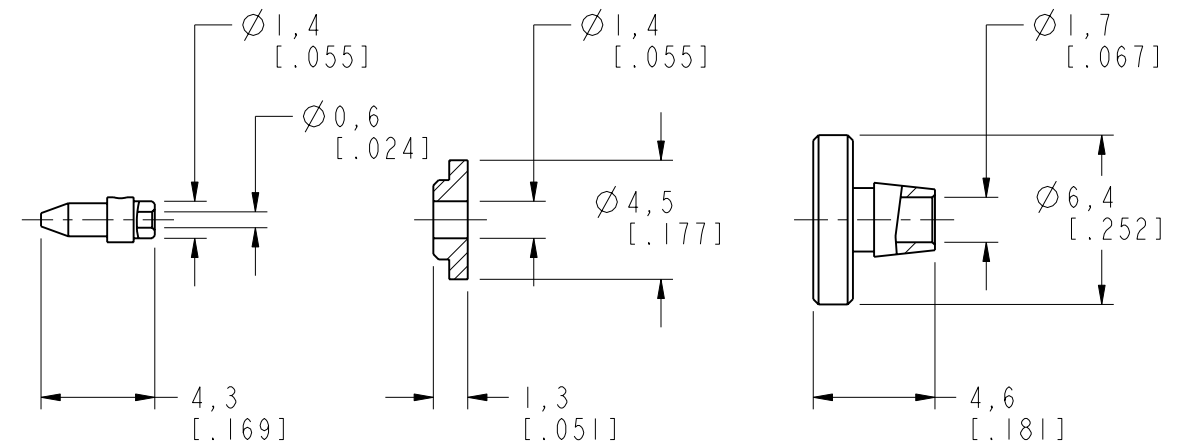
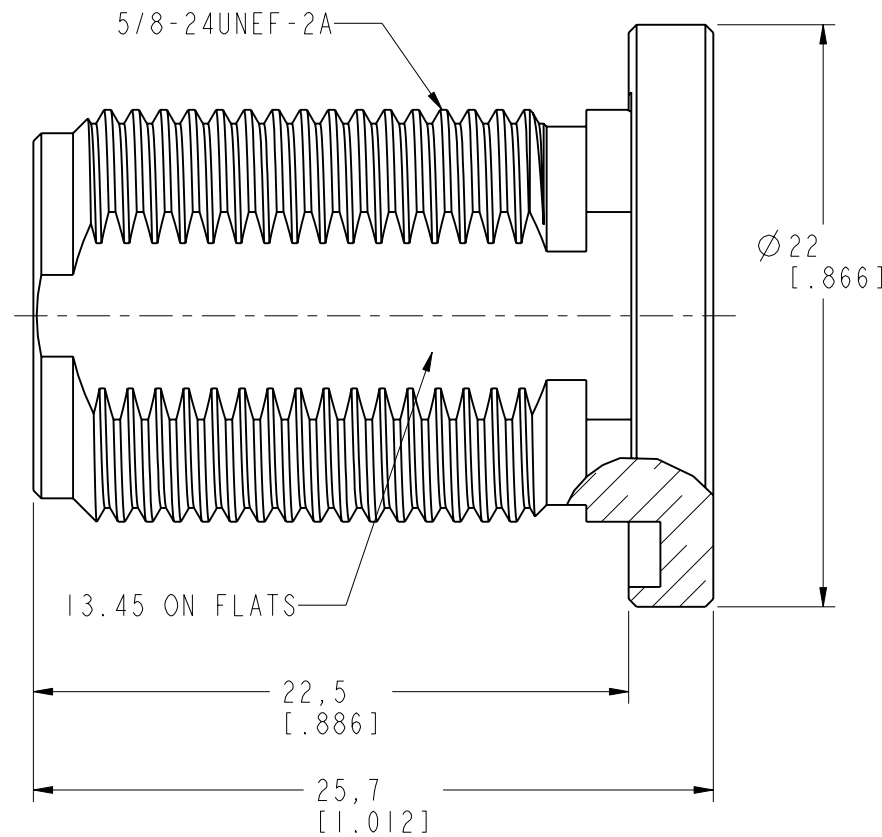
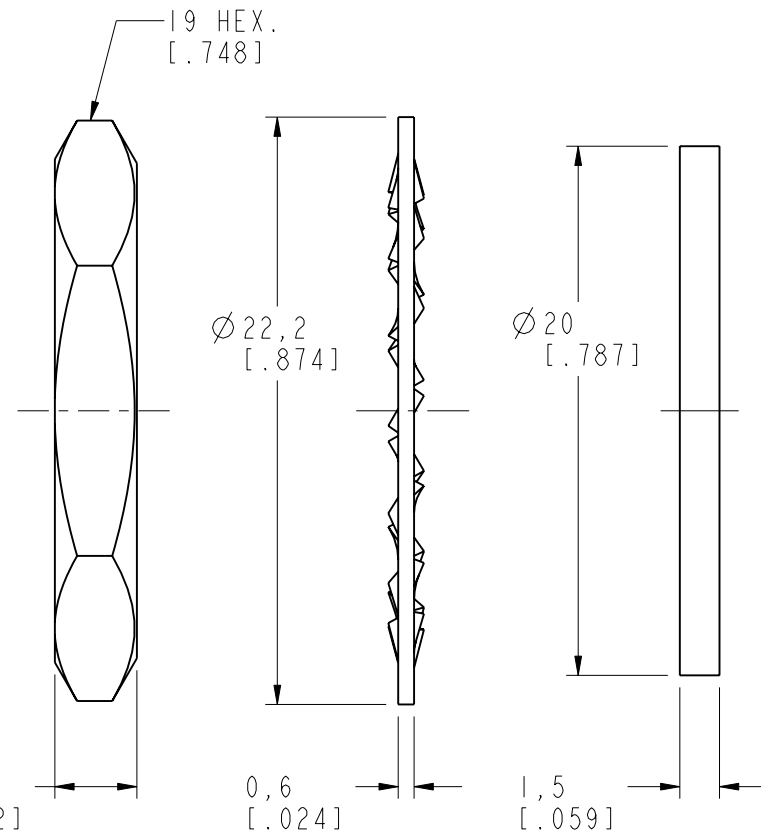
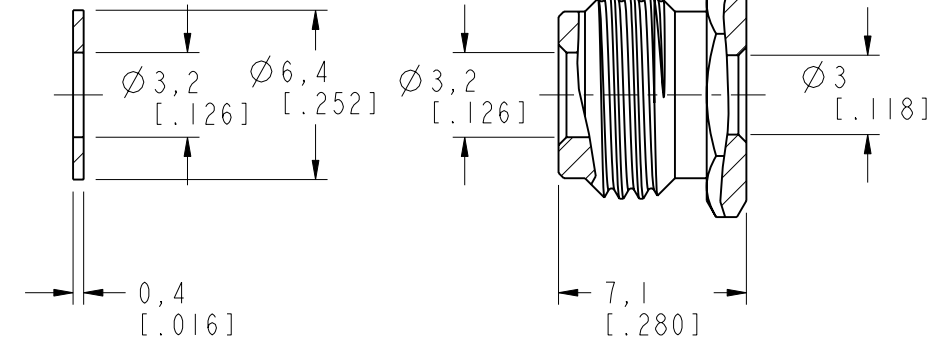
SCALE 1.000



RECOMMENDED CABLE STRIPPING DIMENSIONS



RECOMMENDED MOUNTING HOLE DIMENSIONS



CUSTOMER OUTLINE DRAWING

ALL OTHER SHEETS ARE FOR INTERNAL USE ONLY

UNLESS OTHERWISE SPECIFIED, DIMENSIONS ARE IN METRIC AND TOLERANCES ARE: <0.5mm ±0.05mm 0.5 - 6mm ±0.1mm 6 - 30mm ±0.2mm 30 - 120mm ±0.3mm ANGLES ±1°	MATERIAL	DRAWN M. ZHANG	DATE 15-Apr-14	TITLE N BULKHEAD CLAMP JACK (FOR RG-174/U, 188A/U, 316/U CABLE)	Amphenol Connex	
	NOTICE - These drawings, specifications, or other data (1) are, and remain the property of Amphenol corp. (2) must be returned upon request; and (3) are confidential and not to be disclosed to any person other than those to whom they are given by Amphenol Corp. the furnishing of these drawings, specifications, or other data by Amphenol Corp., or to any other person to anyone for any purpose is not to be regarded by implication or otherwise in any manner licensing, granting rights to permitting such holder or any other person to manufacture, use or sell any product, process or design, patented or otherwise, that may in any way be related to or disclosed by said drawings, specifications, or other data.	REFERENCE ARFA P/N: N6441HI-002-AT30GA-316U-50	ENGINEER F. WANG			DATE 22-Mar-12
CONFIGURATION LEVEL:	APPROVED S. HSIEH	DATE 15-Apr-14	SCALE: 3.5:1.0 SHEET 3 OF 3	DWG SIZE B	REV B	ITEM NO. PART NO. 172143-10
FINISH	CAD FILE					

Mouser Electronics

Authorized Distributor

Click to View Pricing, Inventory, Delivery & Lifecycle Information:

[Amphenol:](#)

[172143-10](#)