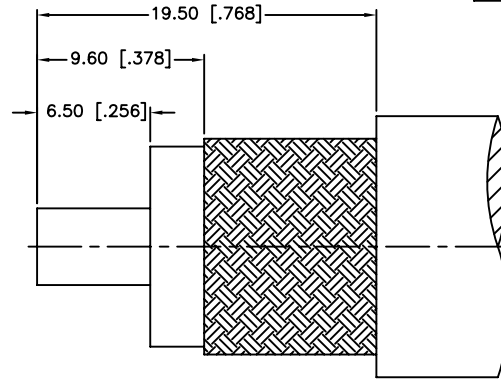
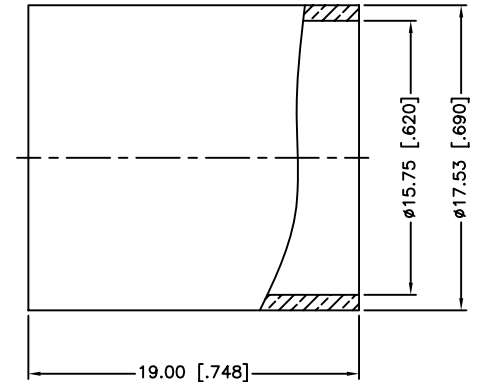
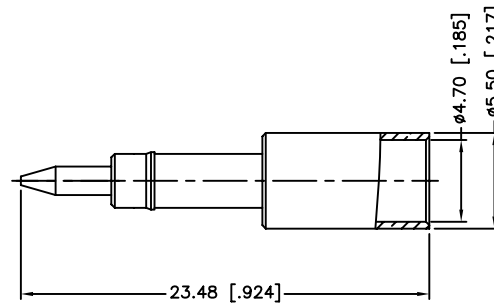
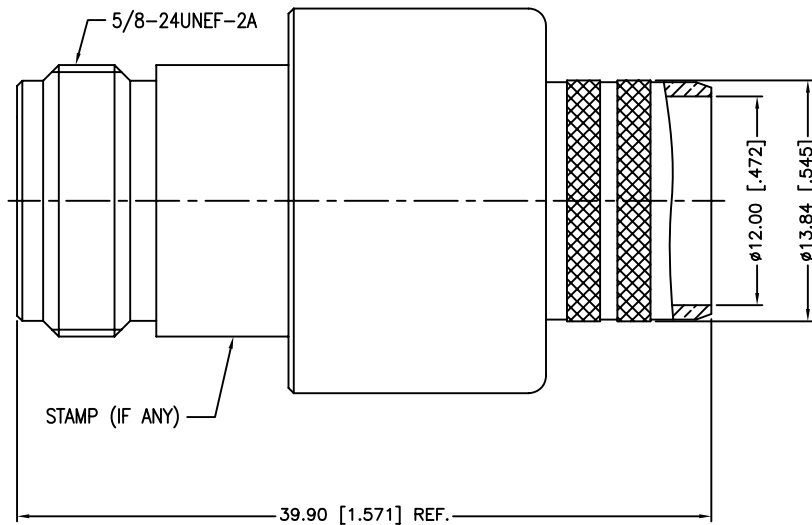
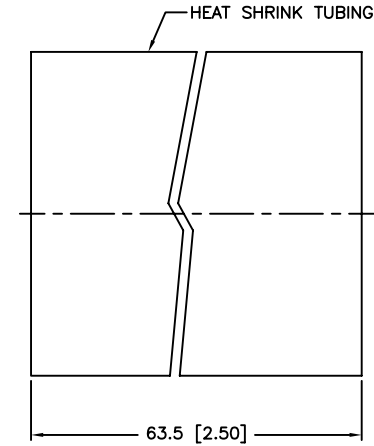


1. IMPEDANCE: 50 OHM
2. FREQUENCY RANGE: DC TO 11 GHz
3. DIELECTRIC WITHSTANDING VOLTAGE: 2500 VRMS, MIN.
4. DURABILITY: 500 CYCLES MIN.
5. TEMPERATURE RANGE: -65°C TO +165°C
6. CRIMPED FERRULE
HEX. CRIMP SIZE .610"
7. CRIMPED CONTACT PIN
HEX. CRIMP SIZE .178"

REV.	DATE	ECR NO.	DESCRIPTION
NC	06/02/03	XXXXXX	INITIAL RELEASE
A	06/20/12	2331	UPDATE DRAWING FORMAT



RECOMMENDED
CABLE STRIPPING DIM'S



5	HEAT SHRINK TUBING			1
5	FERRULE	BRASS	NEXCOTE	1
4	CONTACT PIN	BRASS	GOLD	1
3	BARREL	BRASS	NEXCOTE	1
2	INSULATOR	PTFE	NATURAL	1
1	BODY	BRASS	NEXCOTE	1
DESCRIPTION	MATERIAL	FINISH	QTY	

UNLESS OTHERWISE SPECIFIED DIMENSIONS ARE IN MILLIMETERS. DIMENSIONS IN [] ARE IN INCHES AND FOR CUSTOMER REFERENCE ONLY.

UNLESS OTHERWISE SPECIFIED TOLERANCES FOR MILLIMETERS ARE:
 0.5 - 8mm ± 0.20mm
 8 - 30mm ± 0.40mm
 30 - 120mm ± 0.50mm

UNLESS OTHERWISE SPECIFIED TOLERANCES FOR INCHES ARE:
 .020 - .315 = ± 0.007"
 .315 - 1.180 = ± 0.015"
 1.180 - 4.724 = ± 0.020"

DO NOT SCALE DRAWING

APPROVALS	DATE
DRAWN M.ZHANG	06/20/12
CHECKED	
ISSUED	
SHEET 1 OF 1	
CAD FILE C:/CONNEX/172207RP.DWG	

<h1>Amphenol Connex</h1>			
PART DESCRIPTION N REVERSE POLARITY CRIMP JACK (FOR LMR-600 CABLE)			
PART NO. 172207RP			
DWG. NO.	172207RP.DWG	REV.	A
SIZE	A	SCALE	NA

Mouser Electronics

Authorized Distributor

Click to View Pricing, Inventory, Delivery & Lifecycle Information:

[Amphenol:](#)

[172207RP](#)