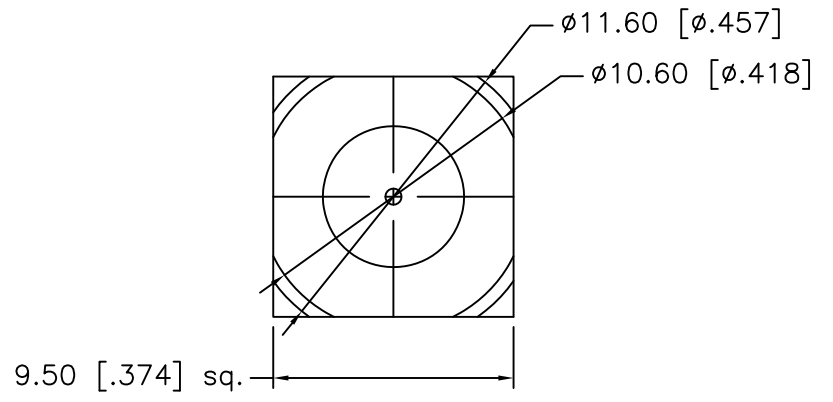
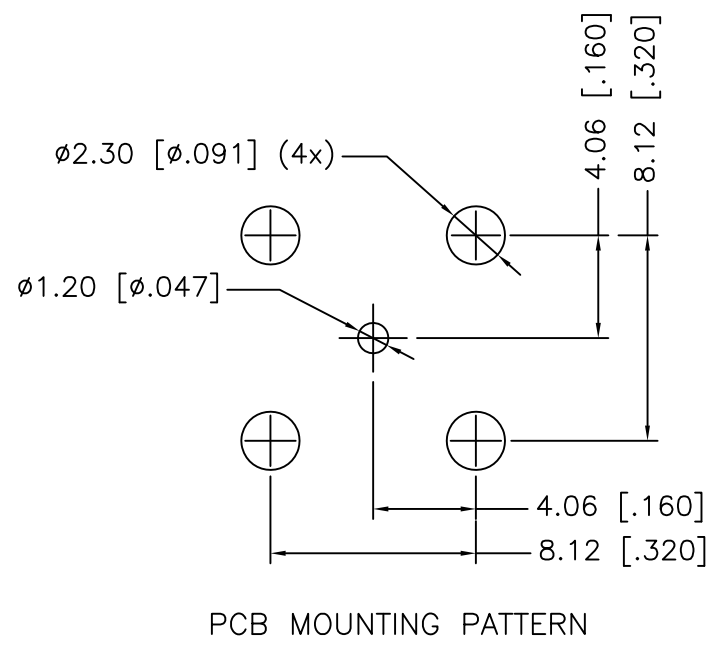
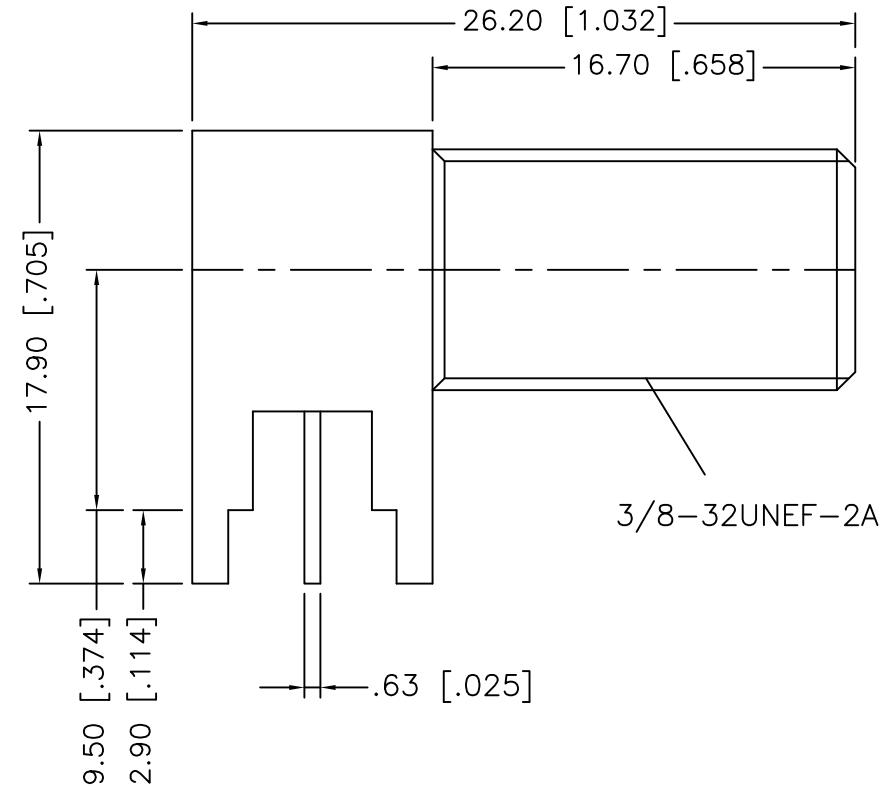


REV.	DATE	ECR NO.	DESCRIPTION
A	09/22/99	-	ADD REFERANCE NO. 51-0838
B	05/14/06	-	MODIFY BODY AND CONTACT PLATING TO BRT. TIN
C	05/20/08	-	REVISE BODY PLATING TO NICKEL, CONTACT PLATING TO MATTE TIN
D	01/22/15	2858	ADDED NOTE 3 & 4, NOTE 2 WAS REF: 51-0838



- NOTE:
- CONTACT PLATING: BRIGHT TIN PL. 200 MIN. THICK OVER NICKEL PL. 50 MIN. THICK OVER COPPER PL. 100 MIN. THICK.
  - BODY PLATING: NICKEL PLATE 100 MIN. OVER COPPER PLATE 50 MIN.
  - NOT SUITABLE FOR REFLOW SOLDER PROCESSING, HAND OR WAVE SOLDER ONLY.
  - VSWR: 1.500 MAX (DC-1.0 GHZ)

8			
7			
6			
5			
4	INSULATOR	DELRIN	NATURAL 1
3	CONTACT PIN	BRASS	MATTE TIN 2
2	INSULATOR	P.P.	NATURAL 1
1	HOUSING/BODY	BRASS	NICKEL 1
	DESCRIPTION	MATERIAL	FINISH QTY

UNLESS OTHERWISE SPECIFIED DIMENSIONS ARE IN MILLIMETERS. DIMENSIONS IN [ ] ARE IN INCHES AND FOR CUSTOMER REFERENCE ONLY.

UNLESS OTHERWISE SPECIFIED TOLERANCES FOR MILLIMETERS ARE:  
0.5 - 8mm ± 0.20mm  
8 - 30mm ± 0.40mm  
30 - 120mm ± 0.50mm

UNLESS OTHERWISE SPECIFIED TOLERANCES FOR INCHES ARE:  
.020 - .315 = ± 0.007"  
.315 - 1.180 = ± 0.015"  
1.180 - 4.724 = ± 0.020"

DO NOT SCALE DRAWING

APPROVALS	DATE
DRAWN G.R.S.	05/20/08
CHECKED	
ISSUED	
SHEET 1 OF 1	
CAD FILE	C:/222/222131.DWG

**Amphenol Connex**

PART DESCRIPTION  
**F SERIES R/A P.C. MOUNT RECEPTACLE**

PART NO.  
**222131**

DWG. NO.	222131.DWG	REV.	D	SIZE	A	SCALE	NA
----------	------------	------	---	------	---	-------	----

# Mouser Electronics

Authorized Distributor

Click to View Pricing, Inventory, Delivery & Lifecycle Information:

[Amphenol:](#)

[222131](#)