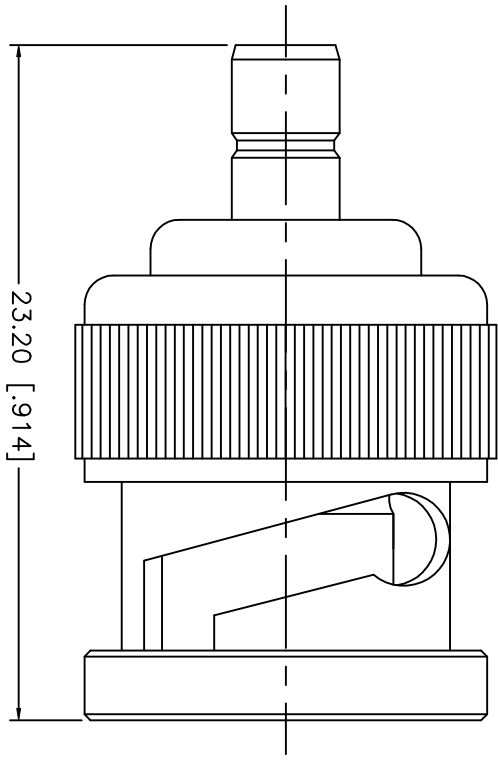


REV.	DATE	DESCRIPTION
NC	04/09/02	INITIAL RELEASE



8																								
7																								
6																								
5																								
4	CONTACT PIN	BRASS		GOLD																				
3	INSULATOR	TEFLON		NATURAL																				
2	SMB BODY	BRASS		GOLD																				
1	BNC BODY	BRASS		NICKEL																				
	DESCRIPTION	MATERIAL		FINISH																				
		UNLESS OTHERWISE SPECIFIED DIMENSIONS ARE IN MILLIMETERS		DIMENSIONS IN [] ARE IN INCHES FOR CUSTOMER REFERENCE ONLY		UNLESS OTHERWISE SPECIFIED TOLERANCES FOR INCHES ARE: .XXX = ± 0.005" .XX = ± 0.010" .X = ± 0.020"		DO NOT SCALE DRAWING		<table border="1"> <thead> <tr> <th colspan="2">APPROVALS</th> <th>DATE</th> </tr> </thead> <tbody> <tr> <td>DRAWN</td> <td>G.R.S.</td> <td>04/09/02</td> </tr> <tr> <td>CHECKED</td> <td></td> <td></td> </tr> <tr> <td>ISSUED</td> <td></td> <td></td> </tr> </tbody> </table>			APPROVALS		DATE	DRAWN	G.R.S.	04/09/02	CHECKED			ISSUED		
APPROVALS		DATE																						
DRAWN	G.R.S.	04/09/02																						
CHECKED																								
ISSUED																								
				<h1 style="text-align: center;">Amphenol - Connex</h1> <p style="text-align: center;">CONNECTOR CORPORATION</p>				<p style="text-align: center;">TITLE: BNC PLUG TO SMB JACK ADAPTOR</p>																
		SIZE		FSGM NO.		DWG. NO.		REV.																
		A		99001		242184.DWG		NC																
		SCALE		PART NO.		SHEET		OF																
		NA		242184		1		1																

Mouser Electronics

Authorized Distributor

Click to View Pricing, Inventory, Delivery & Lifecycle Information:

[Amphenol:](#)

[242184](#)