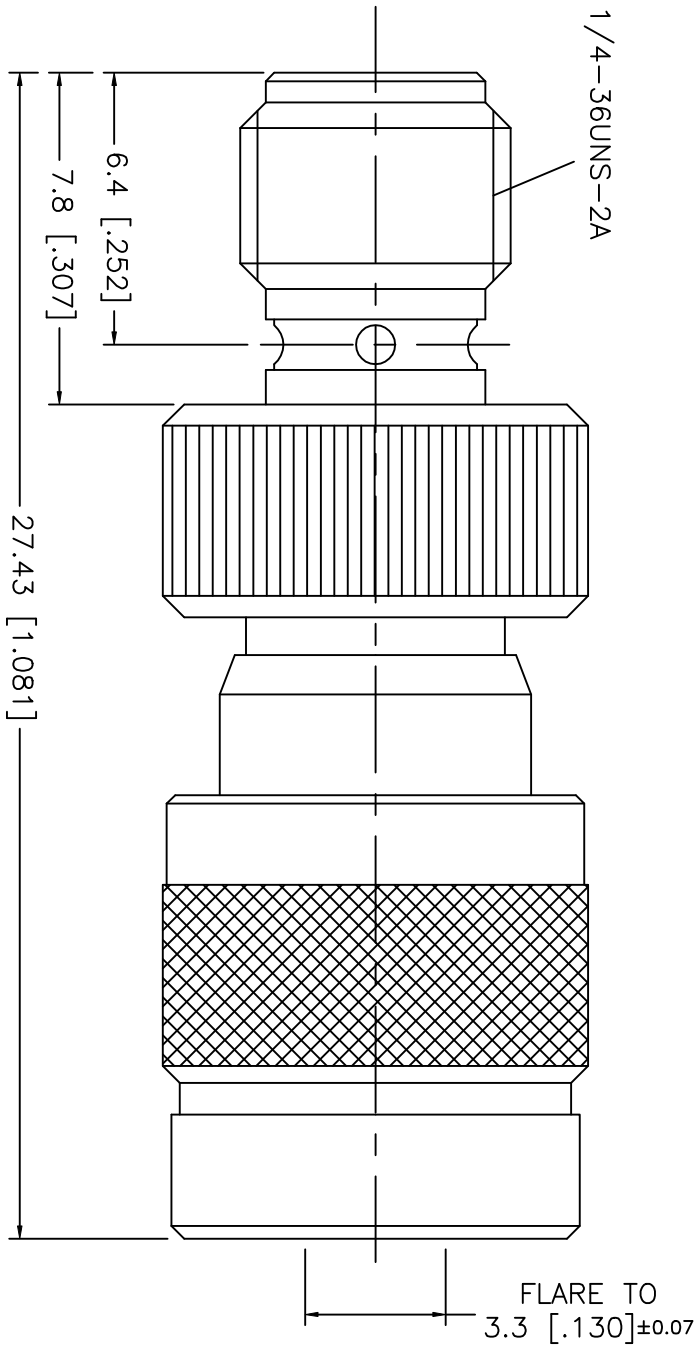


REV.	DATE	DESCRIPTION
NC	02/19/02	INITIAL RELEASE



DESCRIPTION	MATERIAL	FINISH	UNLESS OTHERWISE SPECIFIED DIMENSIONS ARE IN MILLIMETERS DIMENSIONS IN [ ] ARE IN INCHES FOR CUSTOMER REFERENCE ONLY	APPROVALS	DATE	TITLE	SIZE	FSQM NO.	DWG. NO.	SHEET	REV.								
8 SHELL	BRASS	NICKEL	UNLESS OTHERWISE SPECIFIED DIMENSIONS ARE IN MILLIMETERS DIMENSIONS IN [ ] ARE IN INCHES FOR CUSTOMER REFERENCE ONLY  UNLESS OTHERWISE SPECIFIED TOLERANCES FOR MILLIMETERS ARE: 0.5-6 = ± 0.2 6-30 = ± 0.4 30-120 = ± 0.6 120-315 = ± 1 315-1000 = ± 1.6 1000-2000 = ± 2.4	DRAWN G.R.S. CHECKED	02/19/02	SMA JACK TO 1.0/2.3 PLUG ADAPTOR	A	99001	242179.DWG	242179	NC								
7 SPRING	BER. COPPER	NATURAL																	
6 BODY	BRASS	NICKEL																	
5 CONTACT PIN	BER. COPPER	GOLD																	
4 INSULATOR	TEFLON	NATURAL																	
3 INSULATOR	TEFLON	NATURAL																	
2 OUT CONTACT	PHOS. BRONZE	GOLD																	
1 HOUSING	BRASS	GOLD																	
DO NOT SCALE DRAWING																			

**Amphenol - Connex**  
CONNECTOR CORPORATION

# Mouser Electronics

Authorized Distributor

Click to View Pricing, Inventory, Delivery & Lifecycle Information:

[Amphenol:](#)

[242179](#)