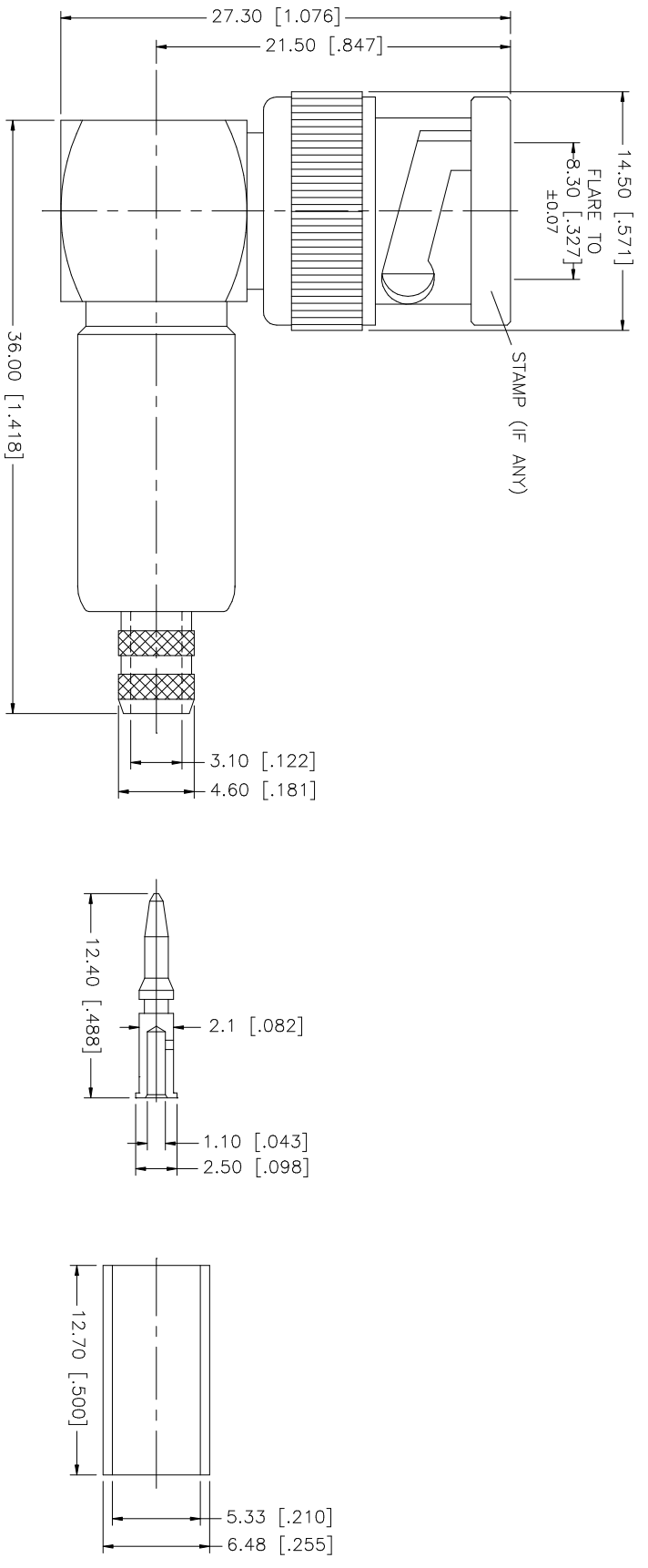
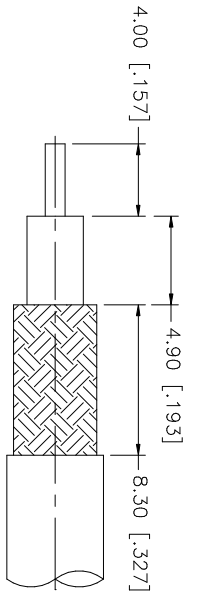


REV.	DATE	DESCRIPTION
NC	01/04/04	UPDATE DRAWING FORMAT



RECOMMENDED
CABLE STRIPPING DIM'S



- NOTE:
1. CRIMPED FERRULE
HEX CRIMP SIZE .213"
 2. CRIMPED CONTACT PIN
HEX CRIMP SIZE .068"

UNLESS OTHERWISE SPECIFIED DIMENSIONS ARE IN MILLIMETERS. DIMENSIONS IN [] ARE IN INCHES AND FOR CUSTOMER REFERENCE ONLY.	UNLESS OTHERWISE SPECIFIED DIMENSIONS ARE IN MILLIMETERS ONLY.	UNLESS OTHERWISE SPECIFIED DIMENSIONS ARE IN INCHES ONLY.	UNLESS OTHERWISE SPECIFIED DIMENSIONS ARE IN MILLIMETERS ONLY.	UNLESS OTHERWISE SPECIFIED DIMENSIONS ARE IN INCHES ONLY.	UNLESS OTHERWISE SPECIFIED DIMENSIONS ARE IN MILLIMETERS ONLY.	UNLESS OTHERWISE SPECIFIED DIMENSIONS ARE IN INCHES ONLY.	UNLESS OTHERWISE SPECIFIED DIMENSIONS ARE IN MILLIMETERS ONLY.	UNLESS OTHERWISE SPECIFIED DIMENSIONS ARE IN INCHES ONLY.	UNLESS OTHERWISE SPECIFIED DIMENSIONS ARE IN MILLIMETERS ONLY.	UNLESS OTHERWISE SPECIFIED DIMENSIONS ARE IN INCHES ONLY.	UNLESS OTHERWISE SPECIFIED DIMENSIONS ARE IN MILLIMETERS ONLY.	UNLESS OTHERWISE SPECIFIED DIMENSIONS ARE IN INCHES ONLY.
8												
7												
6	FERRULE	COPPER	NICKEL	1	0.5 - 8mm ± 0.20mm							
5	CONTACT PIN	PHOS. BRONZE	GOLD	1	8 - 30mm ± 0.40mm							
4	CONTACT PIN	BRASS	GOLD	2	30 - 120mm ± 0.50mm							
3	INSULATOR	DELRI	NATURAL	2	.020 - .315 = ± 0.007"							
2	BODY	BRASS	NICKEL	1	.315 - 1.180 = ± 0.015"							
1					1.180 - 4.724 = ± 0.020"							
DESCRIPTION		MATERIAL	FINISH	QTY	DO NOT SCALE DRAWING							
CAD FILE		C:/112/112182.DWG	DWG. NO.	112182.DWG	REV.	NC	SIZE	A	SCALE	NA		
APPROVALS		DATE	PART DESCRIPTION									
DRAWN G.R.S.		01/04/04	BNC R/A CRIMP PLUG									
CHECKED			(FOR RG-58/U, 141/U CABLE)									
ISSUED			112182									
SHEET		1 OF 1										

Amphenol **Connex**

Mouser Electronics

Authorized Distributor

Click to View Pricing, Inventory, Delivery & Lifecycle Information:

[Amphenol:](#)

[112182](#)