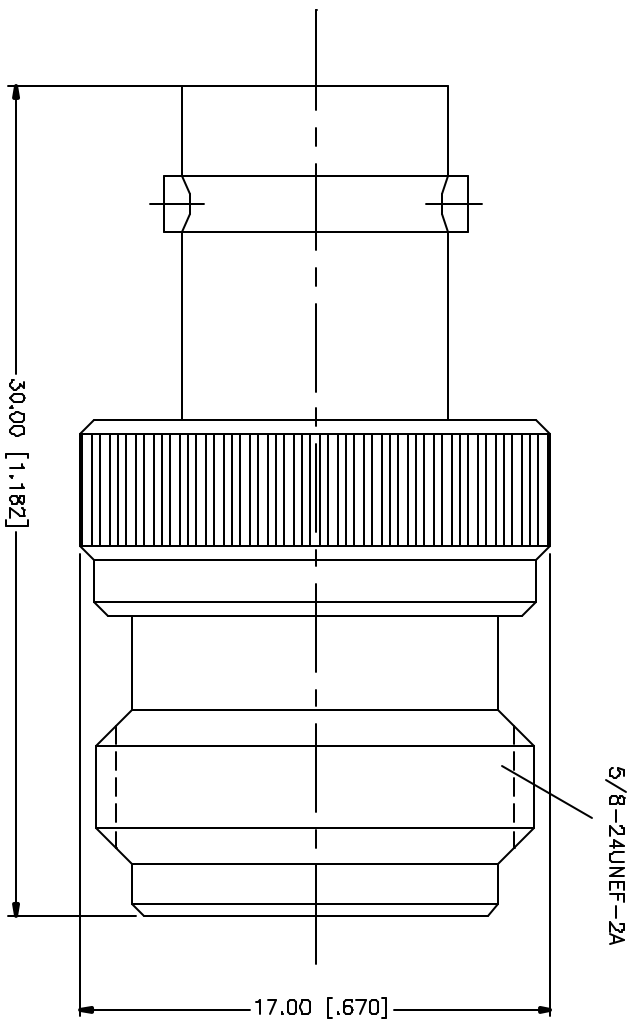


REV.	DATE	DESCRIPTION
A	03/27/05	UPDATE DRAWING FORMAT



NO.	DESCRIPTION	MATERIAL	FINISH	QTY	UNITS	REMARKS
1	INSULATOR BODY	BRASS	NICKEL	1		
2	INSULATOR	TEFLON	NATURAL	1		
3	CONTACT PIN	PHOS. BRONZE	COLD	1		
4						
5						
6						
7						
8						

APPROVALS	DATE
DRAWN G.R.S.	03/27/05
CHECKED	
ISSUED	
SHEET 1 OF 1	

Amphenol Connex
PART DESCRIPTION BNC FEMALE TO N FEMALE ADAPTER
PART NO. 242100

UNITS: MILLIMETERS AND DECIMALS IN THE FIRST THREE PLACES AND THE CUSTOMER REMAINS SOLELY RESPONSIBLE FOR VALIDATION AND TOLERANCES FOR MILLIMETER ARE: A - 30mm ± 0.20mm B - 30mm ± 0.40mm C - 120mm ± 0.50mm	UNITS: INCHES AND DECIMALS IN THE FIRST THREE PLACES AND THE CUSTOMER REMAINS SOLELY RESPONSIBLE FOR VALIDATION AND TOLERANCES FOR MILLIMETER ARE: A - .020 ± .007" B - .315 ± .180 ± .015" C - 1.180 ± 4.724 ± .020"
---	--

DESCRIPTION	MATERIAL	FINISH	QTY	UNIT SCALE DRAWING	CAD FILE	DWG. NO.	REV.	SIZE	SCALE
					C:/242/242100.DWG	242100.DWG	A	A	NA

Mouser Electronics

Authorized Distributor

Click to View Pricing, Inventory, Delivery & Lifecycle Information:

[Amphenol:](#)

[242100](#)