

NOTES:

- MATERIAL AND FINISHES:
 - FERRULE - COPPER, GOLD PLATING (.000003" MIN. THICK OVER NICKEL PLATING .000100" MIN. THICK OVER COPPER STRIKE)
 - RETAINER RING - SUS 304, NATURAL
 - GASKET - SILICONE RUBBER, RED
 - BODY - BRASS, GOLD PLATING (.000003" MIN. THICK OVER NICKEL PLATING .000100" MIN. THICK OVER COPPER STRIKE)
 - CONTACT - BRASS, GOLD PLATING (.000050" MIN. THICK OVER NICKEL PLATING .000100" MIN. THICK OVER COPPER STRIKE)
 - INSULATOR - PTFE, NATURAL

- ELECTRICAL:
 - A. IMPEDANCE: 50 OHM
 - B. FREQUENCY RANGE: 0-12.4 GHz
 - C. VSWR (RETURN LOSS): 1.150+0.01f (GHz) MAX.
 - D. D.W.V: 1000 VRMS. MIN.

- MECHANICAL:
 - A. DURABILITY: 500 CYCLES MIN.
 - B. TEMPERATURE RANGE: -65°C TO +165°C
 - C. CENTER CONTACT RETENTION: 4 LBS MIN. (AFTER ASSEMBLY)

4. CRIMPED FERRULE HEX CRIMP SIZE .213"

5. CONTACT PIN TO SOLDER

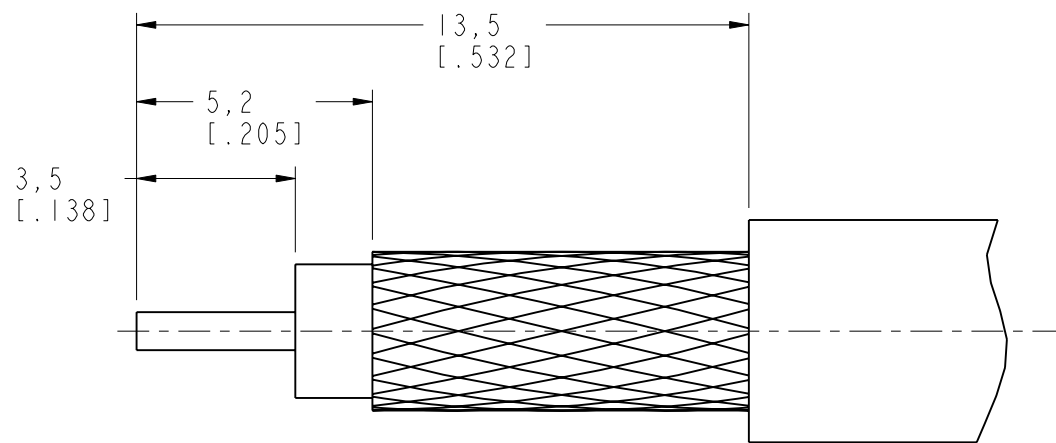
6 SHOWS CABLE ENTRY DIMENSIONS

- PACKAGING:
 - A. QUANTITY: SINGLE PACK
 - B. BAG TO BE MARKED: AMPHENOL RF
901-9870
SMA11111A1-3GT50G-58U-50
DATE CODE

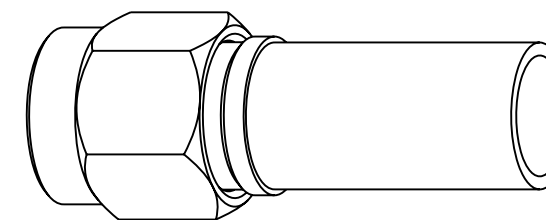
THIRD ANGLE PROJ.

REVISIONS

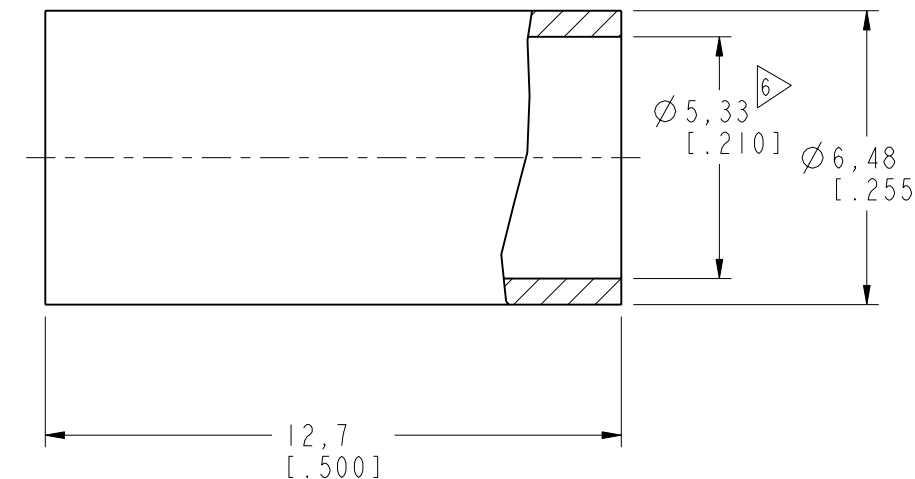
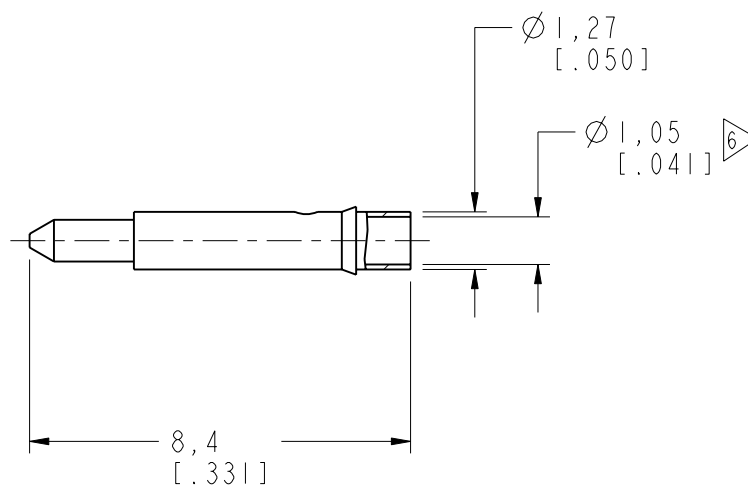
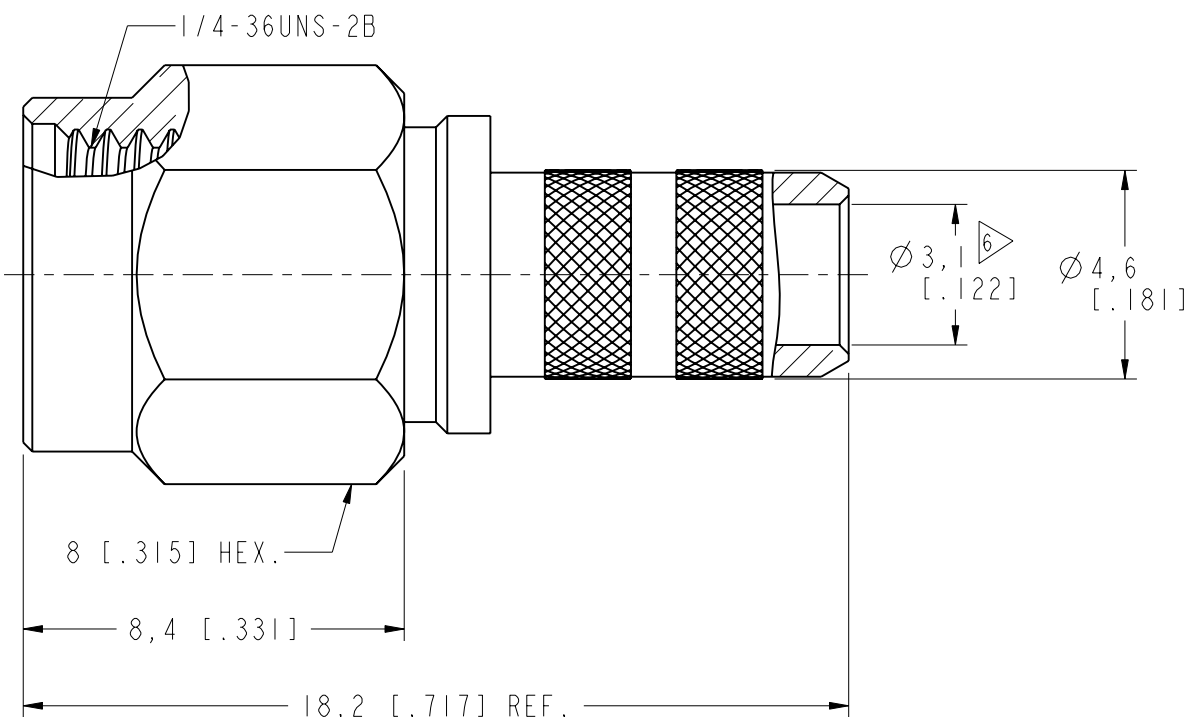
| REV | DESCRIPTION | DATE | ECO | APPR |
|-----|--|-----------|-------|--------|
| A | OFFICIAL ENG. RELEASE TO MFG. | 04-Apr-95 | 40347 | PB/RAV |
| B | REDRAWN ON AUTO-CAD, ALL NOTES REWRITTEN & UPDATED | 28-Aug-96 | 41528 | CPM/ |
| C | UPDATED MATERIALS NOTE & KJ# | 21-Aug-02 | 44182 | CPM/ |
| D | SYNC, UPDATE DRAWING FORMAT\N/A | 08-Oct-15 | 50751 | SH |



RECOMMENDED
CABLE STRIPPING DIM'S



SCALE 3.000



CUSTOMER OUTLINE DRAWING
ALL OTHER SHEETS ARE FOR INTERNAL USE ONLY

UNLESS OTHERWISE SPECIFIED, DIMENSIONS ARE IN METRIC AND TOLERANCES ARE:
 <0.5mm ±0.05mm 0.5 - 6mm ±0.1mm 6 - 30mm ±0.2mm 30 - 120mm ±0.3mm ANGLES ±1°

NOTICE - These drawings, specifications, or other data (1) are, and remain the property of Amphenol corp. (2) must be returned upon request; and (3) are confidential and not to be disclosed to any person other than those to whom they are given by Amphenol Corp. the furnishing of these drawings, specifications, or other data by Amphenol Corp., or to any other person to anyone for any purpose is not to be regarded by implication or otherwise in any manner licensing, granting rights to permitting such holder or any other person to manufacture, use or sell any product, process or design, patented or otherwise, that may in any way be related to or disclosed by said drawings, specifications, or other data.

| | | | | |
|---|----------------------|-------------------|---|--------------------------------------|
| MATERIAL | DRAWN M. ZHANG | DATE 06-Oct-15 | TITLE SMA CRIMP PLUG (FOR RG-58C/U, 58/U) | Amphenol RF www.amphenolrf.com |
| REFERENCE EAR 111-964413 EAR 966275-0 | ENGINEER RAV | DATE 31-Mar-95 | | |
| FINISH | APPROVED S. HSIEH | DATE 06-Oct-15 | SCALE: 6.0:1.0 | DRAWING NO. SMA11111A1-3GT50G-58U-50 |
| | CAD FILE | | SHEET 2 OF 3 | ITEM NO. 111111AAA58GA5F |
| | | | DWG SIZE B | PART NO. 901-9870 |
| | | | REV D | |

Mouser Electronics

Authorized Distributor

Click to View Pricing, Inventory, Delivery & Lifecycle Information:

[Amphenol:](#)

[901-9870](#)