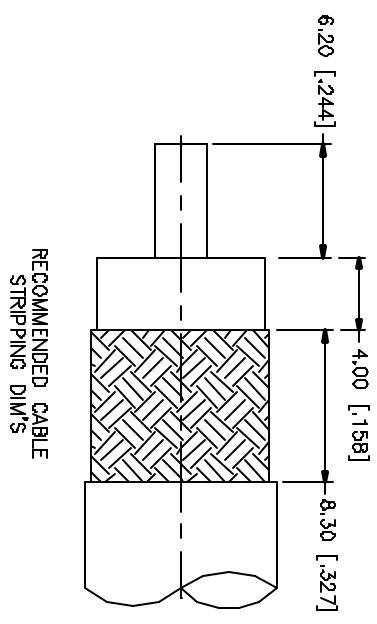
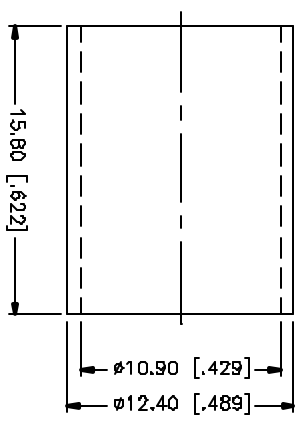
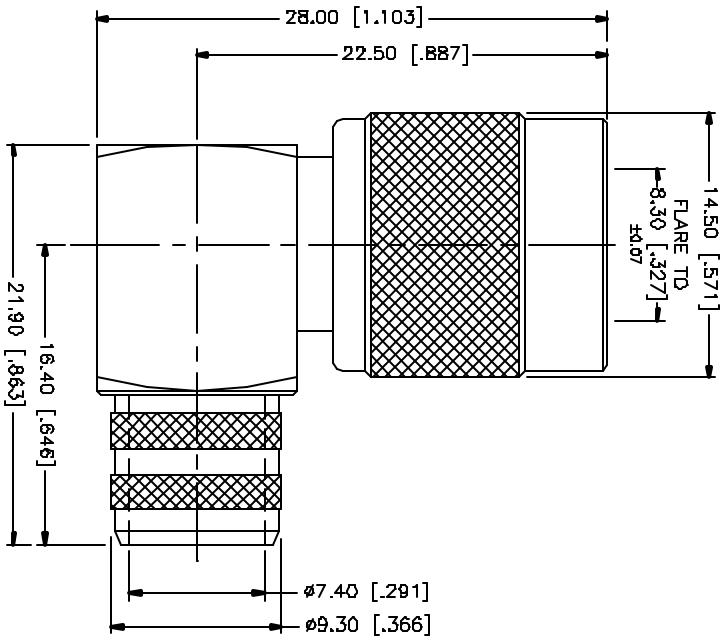


REV.	DATE	DESCRIPTION
NC	01/09/05	INITIAL RELEASE



- NOTES:
1. CRIMPED FERRULE HEX SIZE .429"
  2. SOLDER CENTER CONTACT.

DESCRIPTION	MATERIAL	FINISH	QTY
8			
7			
6			
5	COVER	BRASS	1
4	FERRULE	COPPER	1
3	CONTACT PIN	BRASS	1
2	INSULATOR	TEFLON	1
1	BODY	BRASS	1

UNLESS OTHERWISE SPECIFIED	USE THE FOLLOWING DIMENSIONS IN MILLIMETERS AND TOLERANCES FOR MILLIMETERS ARE:
0.5 - 30mm ± 0.20mm	
30 - 120mm ± 0.50mm	
120 - 300mm ± 1.00mm	
300 - 600mm ± 1.50mm	
600 - 1200mm ± 2.00mm	
1200 - 2000mm ± 3.00mm	
2000 - 3000mm ± 4.00mm	
3000 - 4000mm ± 5.00mm	
4000 - 6000mm ± 6.00mm	
6000 - 10000mm ± 8.00mm	
10000mm and over ± 10.00mm	

APPROVALS	DATE
DRAWN G.R.S.	01/09/05
CHECKED	
DESIGNED	
SHEET 1 OF 1	

PART DESCRIPTION	PART NO.
TNC R/A CRIMP PLUG (FOR RG8 AND RG213/U CABLE)	122502

DWG. NO.	REV.	NC	SIZE	SCALE
122502.DWG	NC		A	NA

**Amphenol Connex**

# Mouser Electronics

Authorized Distributor

Click to View Pricing, Inventory, Delivery & Lifecycle Information:

[Amphenol:](#)

[122502](#)