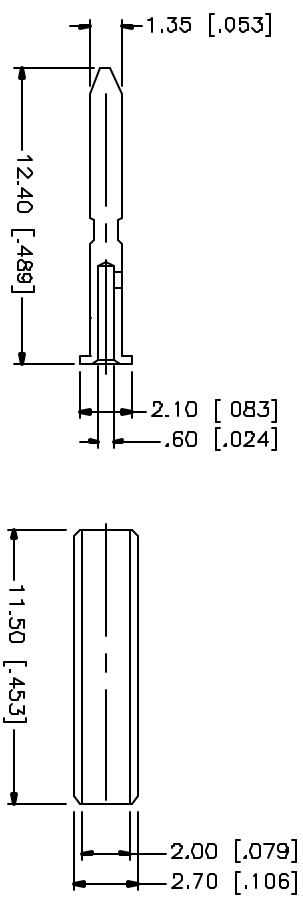
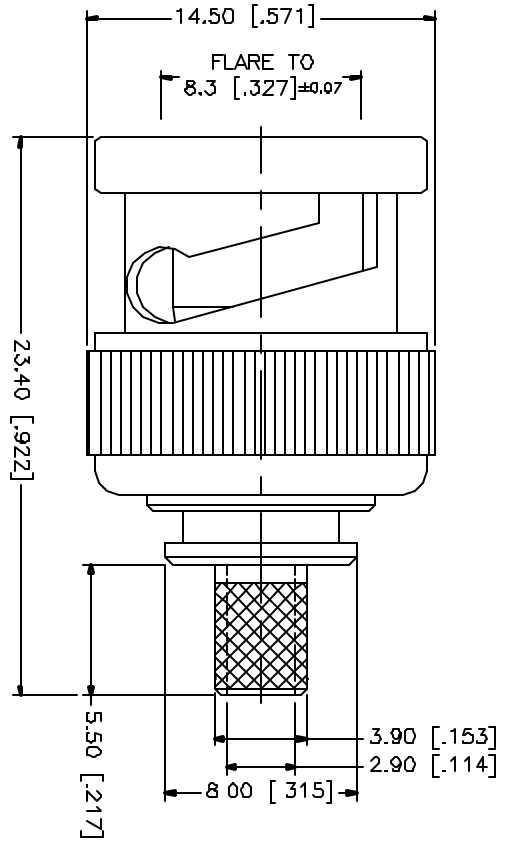
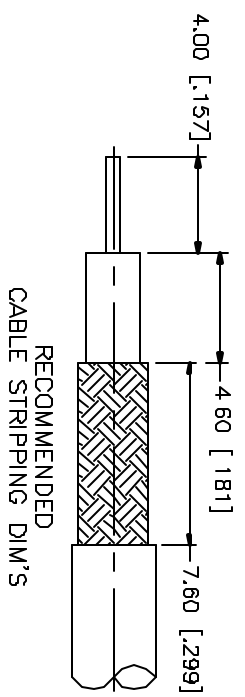
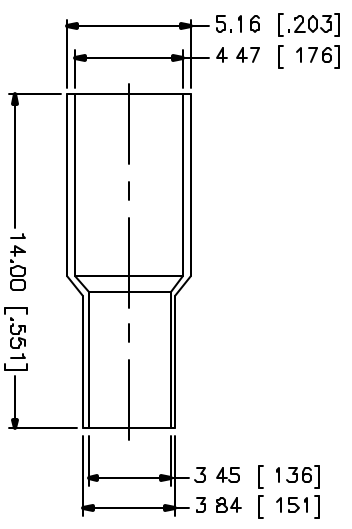


REV.	DATE	DESCRIPTION
A	01/07/01	ADD CRIMP NOTES/ MODIFY CONTACT PIN, FERRULE



- CRIMP NOTES:
1. CRIMPED FERRULE  
HEX CRIMP SIZE .178"
  2. CRIMPED CONTACT PIN  
HEX CRIMP SIZE .043"



DESCRIPTION	MATERIAL	FINISH	UNLESS OTHERWISE SPECIFIED DIMENSIONS ARE IN MILLIMETERS DIMENSIONS IN ( ) ARE IN INCHES FOR CUSTOMER REFERENCE ONLY	APPROVALS	DATE	TITLE	SCALE	SHEET
1 SHELL	BRASS	NICKEL		DRAWN	01/07/01	<b>comnex</b> Connector Corporation BNC CRIMP PLUG (FOR LIBERTY RGB6C/22-2P CABLE)	NA	112491-11
2 BODY	BRASS	NICKEL		CHECKED			99001	112491-11.DWG
3 INSULATOR	TEFLON	NATURAL		ISSUED				
4 CONTACT PIN	BRASS	GOLD	UNLESS OTHERWISE SPECIFIED TOLERANCES FOR MILLIMETERS ARE: 0.5-6 = ± 0.2 6-30 = ± 0.4 30-120 = ± 0.6 120-315 = ± 1 315-1000 = ± 1.6 1000-2000 = ± 2.4					
5 SLEEVE	TEFLON	NATURAL						
6 FERRULE	BRASS	NICKEL						
7								
8			DO NOT SCALE DRAWING					

# Mouser Electronics

Authorized Distributor

Click to View Pricing, Inventory, Delivery & Lifecycle Information:

[Amphenol:](#)

[112491-11](#)