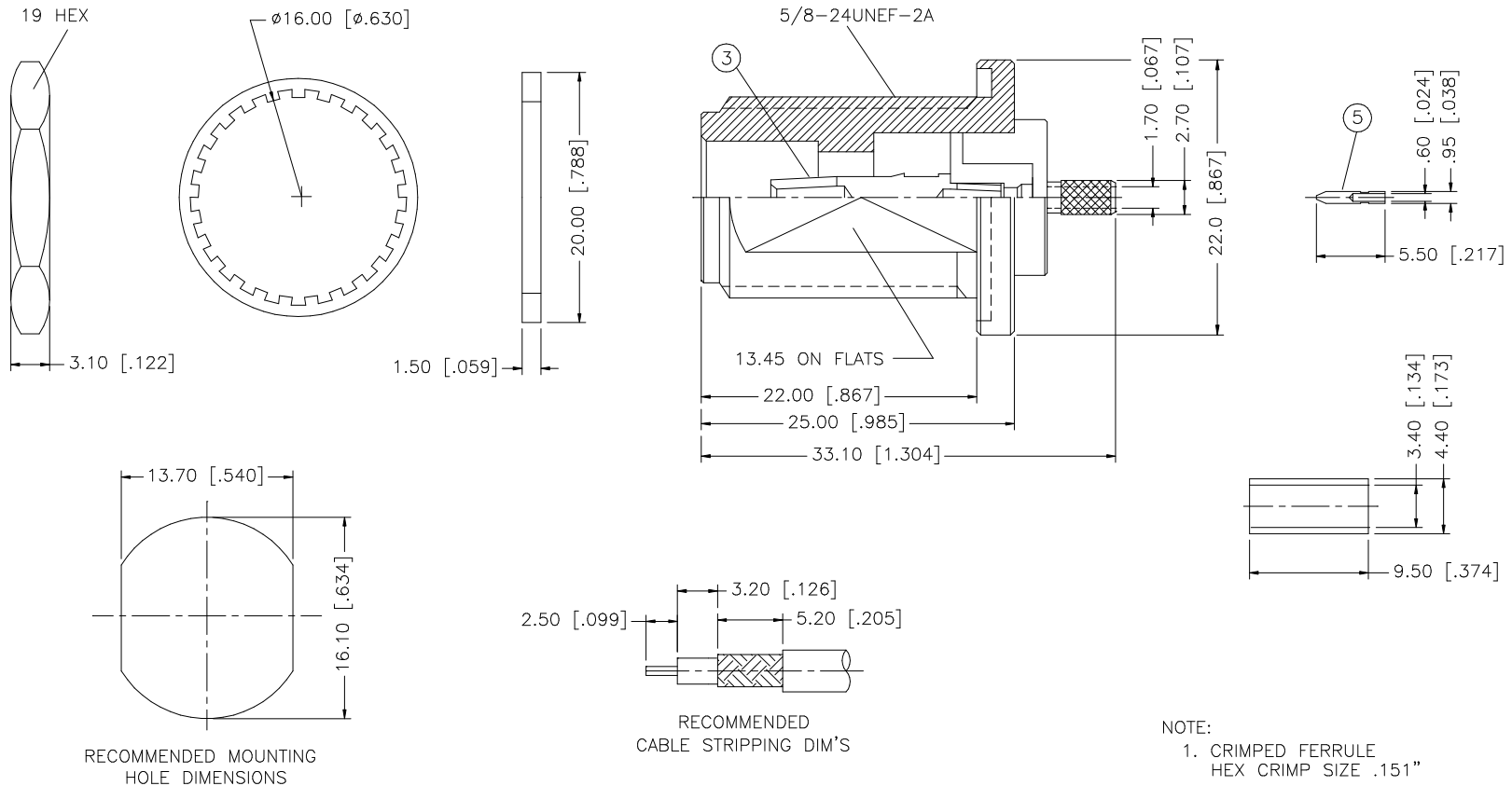


REV.	DATE	DESCRIPTION
B	01/29/00	MODIFY FERRULE DIMS./ CHANGE NOTES
C	06/05/03	UPDATE DRAWING FORMAT
D	11/20/06	REVISE BARREL I.D. TO 2.70mm



- NOTE:
1. CRIMPED FERRULE  
HEX CRIMP SIZE .151"
  2. CRIMPED CONTACT PIN  
SQ. CRIMP SIZE 0.7mm
  3. MAX. PANEL THICKNESS = 7mm

QTY	DESCRIPTION	MATERIAL	FINISH	QTY	UNLESS OTHERWISE SPECIFIED DIMENSIONS ARE IN MILLIMETERS. DIMENSIONS IN [ ] ARE IN INCHES AND FOR CUSTOMER REFERENCE ONLY.	APPROVALS	DATE	Amphenol Connex			
8								PART DESCRIPTION <b>N BULKHEAD CRIMP JACK (FOR RG-316/U DOUBLE BRAID CABLE)</b>			
7	FERRULE	COPPER	NEXCOTE	1		DRAWN	G.R.S.				11/20/06
6	HEX NUT	BRASS	NEXCOTE	1	UNLESS OTHERWISE SPECIFIED TOLERANCES FOR MILLIMETERS ARE: 0.5 - 8mm $\pm$ 0.20mm 8 - 30mm $\pm$ 0.40mm 30 - 120mm $\pm$ 0.50mm	CHECKED			PART NO.		
5	LOCK WASHER	BRASS	NEXCOTE	1		ISSUED			172165		
4	GASKET	SILICONE	RED	1	UNLESS OTHERWISE SPECIFIED TOLERANCES FOR INCHES ARE: .020 - .315 = $\pm$ 0.007" .315 - 1.180 = $\pm$ 0.015" 1.180 - 4.724 = $\pm$ 0.020"	SHEET	1 OF 1		DWG. NO. 172165.DWG		
3	CONTACT PIN	BRASS	GOLD	1		CAD FILE	C:/172/172165.DWG		REV. D	SIZE A	SCALE NA
2	INSULATOR	TEFLON	NATURAL	1							
1	BODY	BRASS	NEXCOTE	1							
	DESCRIPTION	MATERIAL	FINISH	QTY	DO NOT SCALE DRAWING						

# Mouser Electronics

Authorized Distributor

Click to View Pricing, Inventory, Delivery & Lifecycle Information:

[Amphenol:](#)

[172165](#)