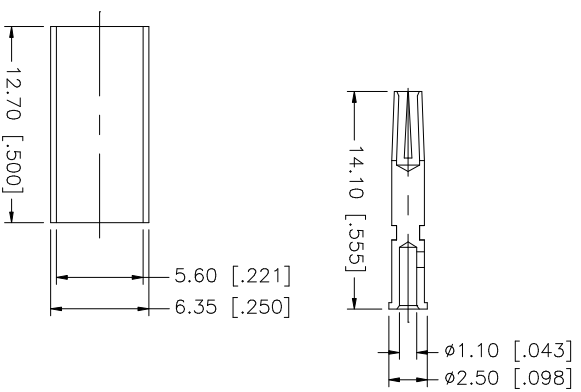
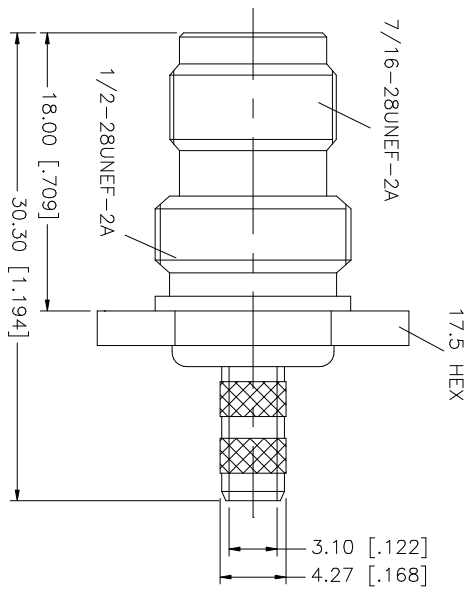
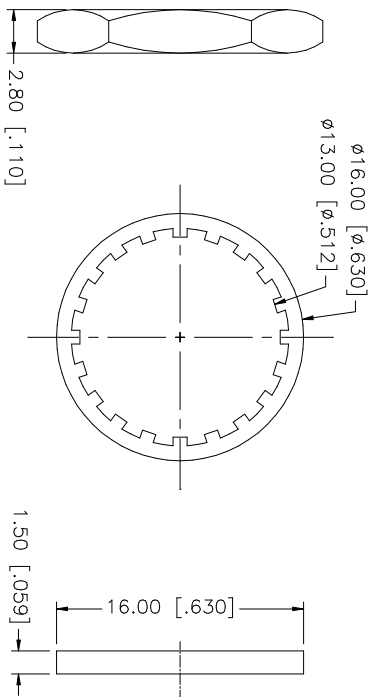
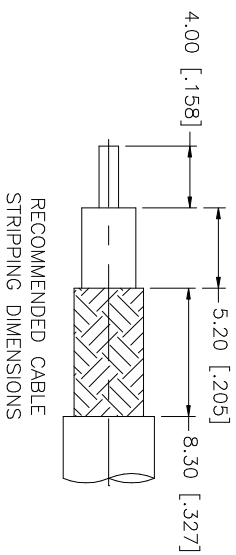


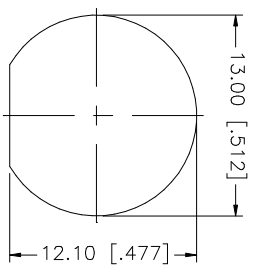
REV.	DATE	DESCRIPTION
NC	05/03/99	INITIAL RELEASE
A	03/20/05	REFORMAT DRAWING
B	11/29/05	MODIFY BARREL AND FERRULE I.D.



NOTE:

1. FERRULE HEX. CRIMP SIZE .213"
2. CONTACT PIN CRIMP SIZE .068"
3. MAX. PANEL THICKNESS= 3.5mm

RECOMMENDED MOUNTING HOLE



QTY	FINISH	MATERIAL	DESCRIPTION
1	NICKEL	COPPER	FERRULE
1	RUBBER	SILICONE	GASKET
1	NICKEL	BRASS	HEX NUT
1	NICKEL	BRASS	LOCKWASHER
1	GOLD	PHOS. BRONZE	CONTACT PIN
1	NATURAL	TEFLON	INSULATOR
1	NICKEL	BRASS	BODY

UNLESS OTHERWISE SPECIFIED, DIMENSIONS ARE IN MILLIMETERS. DIMENSIONS IN INCHES ARE IN PARENTHESES AND FOR CUSTOMER REFERENCE ONLY.	UNLESS OTHERWISE SPECIFIED, DIMENSIONS FOR MILL TO 50 ARE: TOLERANCES FOR MILL TO 50 ARE:
	0.5 - 8mm ± 0.20mm
	8 - 30mm ± 0.40mm
	30 - 120mm ± 0.50mm
	UNLESS OTHERWISE SPECIFIED, TOLERANCES FOR INCHES ARE:
	.020 - .315 = ± 0.007"
	.315 - 1.180 = ± 0.015"
	1.180 - 4.724 = ± 0.020"

APPROVALS	DATE
DRAWN G.R.S.	11/29/05
CHECKED	
ISSUED	
SHEET 1 OF 1	

CAD FILE	DWG. NO.	REV.	SIZE	SCALE
C:/122/122363.DWG	122363.DWG	B	A	NA

Amphenol Connex

TNC BULKHEAD CRIMP JACK
(FOR RG-142/U, 223/U, 400/U CABLE)

122363

Mouser Electronics

Authorized Distributor

Click to View Pricing, Inventory, Delivery & Lifecycle Information:

[Amphenol:](#)

[122363](#)