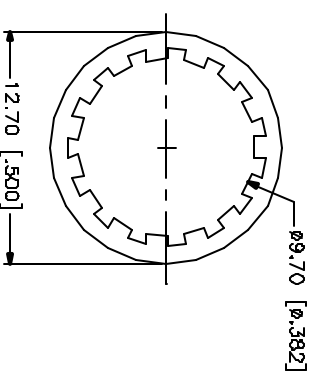
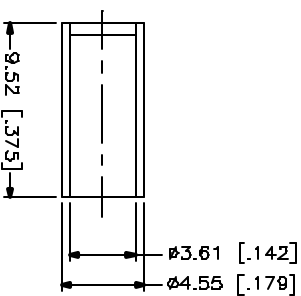
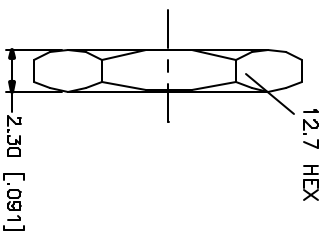
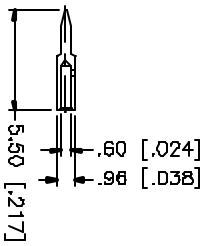
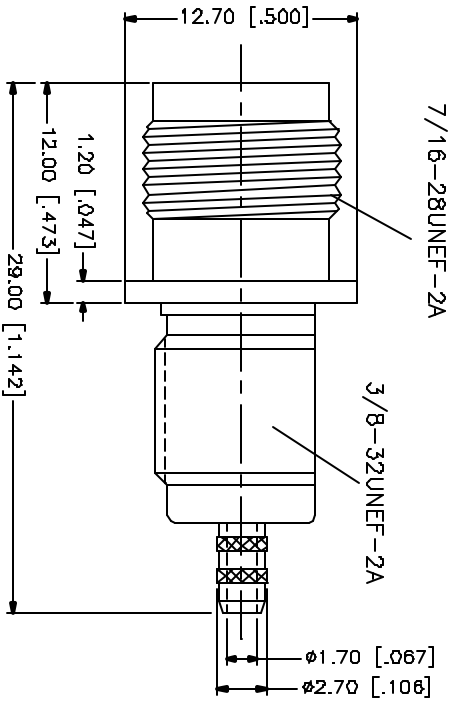
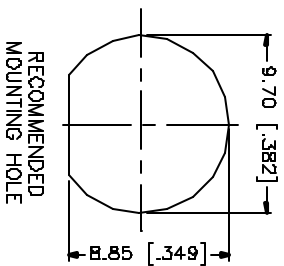
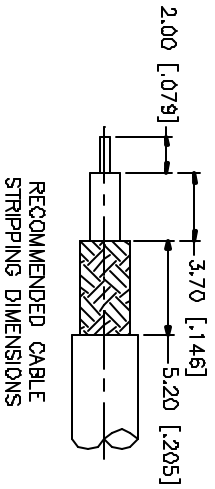


REV.	DATE	DESCRIPTION
NC	02/02/05	INITIAL RELEASE



CRIMP NOTES:

1. CRIMPED CONTACT PIN  
HEX CRIMP SIZE ".151"
2. CONTACT PIN TO SOLDER
3. MAX. PANEL THICKNESS = 7 mm

NO.	DESCRIPTION	MATERIAL	FINISH	QTY	DO NOT SCALE DRAWING	APPROVALS	DATE	DWG. NO.	REV.	NC	SIZE	SCALE
8								122501.DWG			A	NA
7												
6	HEX NUT	BRASS	NICKEL	1								
5	LOCK WASHER	BRASS	NICKEL	1								
4	FERRULE	COPPER	NICKEL	1								
3	CONTACT PIN	PHOS. BRONZE	GOLD	1								
2	INSULATOR BODY	TEFLON BRASS	NATURAL NICKEL	1								
1	DESCRIPTION											

**Amphenol Connex**

TNC BULKHEAD CRIMP JACK FRONT MOUNT  
(FOR RG-316U/D CABLE)

122501

# Mouser Electronics

Authorized Distributor

Click to View Pricing, Inventory, Delivery & Lifecycle Information:

[Amphenol:](#)

[122501](#)