

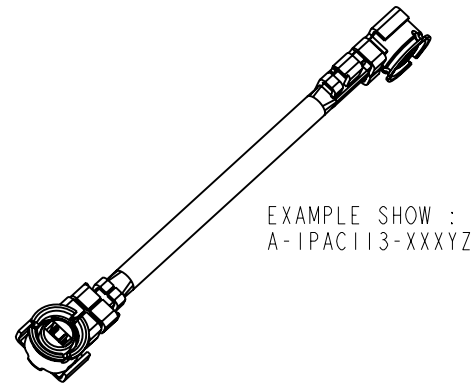
NOTES:

1. ELECTRICAL:
 - A. IMPEDANCE: 50Ω (NOMINAL)
 - B. FREQUENCY RANGE: 0-6 GHz
 - C. CONTACT RESISTANCE: CENTER: 20mΩ MAX.; MEASURED AT 10mA MAX. 25 mΩ MAX AFTER CYCLING
OUTSIDE: 10mΩ MAX. 15 mΩ MAX AFTER CYCLING
 - D. INSULATION RESISTANCE: 500MΩ MIN.; MEASURED AT 100 VDC.
 - E. WITHSTANDIN VOLTAGE: NO LINE OR INSULATION BREAKDOWN: 200 VAC FOR 1 MIN.
 - F. V.S.W.R. : 1.3 MAX. AT DC TO 3GHz, 1.4 MAX. AT 3 TO 6GHz
 - G. TYPICAL INSERTION LOSS : .0022*L*√Frequency in GHz] + .087*√Frequency in GHz]
2. PHYSICAL:
 - A. FEMALE CONTACT HOLDING FORCE: 0.15N MIN. : MEASURED WITH A Ø0.475MM PIN GAUGE.
 - B. DURABILITY: 30 CYCLES
 - C. TEMPERATURE RANGE: -40°C TO +90°C.
 - D. AMC CONNECTOR MATING FORCE: 15N TYPICAL
 - E. AMC CONNECTOR DEMATING FORCE: 10N TYPICAL - 20N MAX
 - F. AMC INTERFACE IS FULLY COMPATIBLE WITH "U.FL" SERIES PRODUCT.
3. MATERIALS AND FINISHES: (IN MICROMETERS)
 - CONNECTOR BODY: PHOSPHOR BRONZE, SILVER PLATED (0.76 MIN.) OVER COPPER (1 MIN)
 - CONNECTOR CENTER CONTACT: PHOSPHOR BRONZE, GOLD PLATED (0.076 MIN.) OVER NICKEL (2 MIN)
 - CONNECTOR INSULATOR: HIGH TEMP PLASTIC UL 94V-0, BLACK
 - CABLE JACKET: FEP
 - CABLE DIELECTRIC: FEP
 - CABLE CENTER CONDUCTOR: ANNEALED COPPER WIRE STRANDED, SILVER PLATED
 - CABLE OUTER CONDUCTOR: ANNEALED COPPER WIRE BRAID, TIN PLATED
4. PACKAGING:
 - A. PAKCAGED IN BAGS OF 100 PIECES

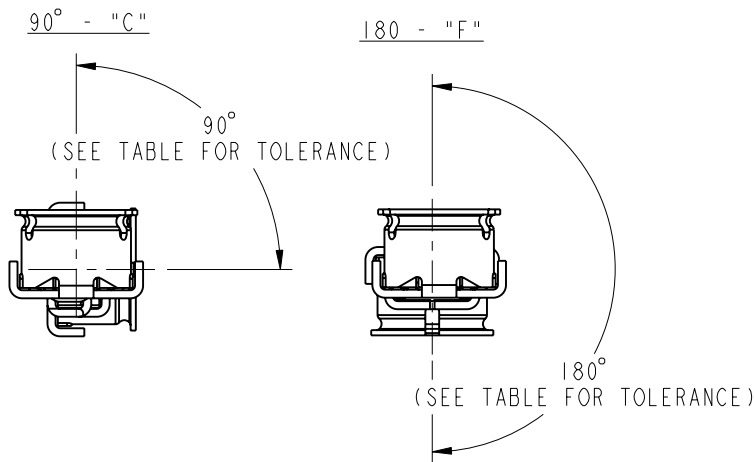
THIRD ANGLE PROJ.

REVISIONS

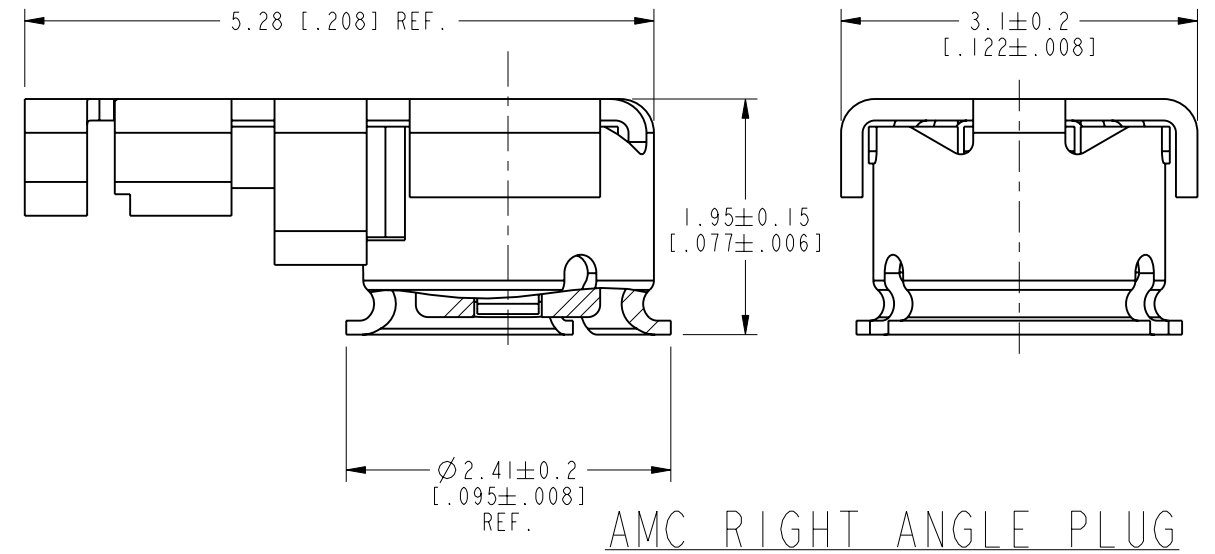
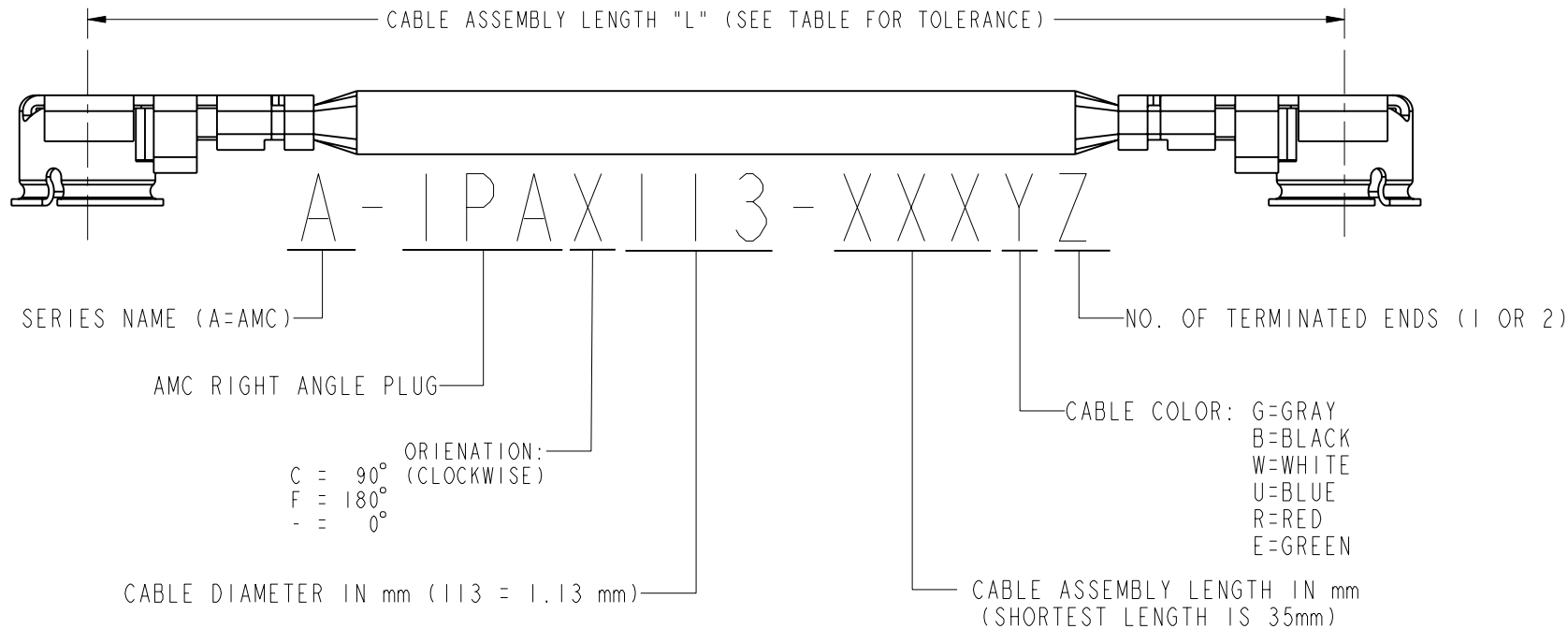
REV	DESCRIPTION	DATE	ECO	APPR
-	RELEASE TO MFG.	-----	-----	-----
F	REDRAWN, ADDED NOTE 1G,4&5 AND COD, ADD ORIENTAION AND COLOR, 5.28±0.4 WAS 5.2 REF REMOVED 4±0.4, 2.41±0.2 WAS 2.68 REF	10/2/14	50005	EW



SCALE 3.000



CABLE ASSEMBLY TOLERANCE		
OVERALL LENGTH L (mm)	STANDARD TOLERANCE (mm)	ORIENTATION TOLERANCE
35 < L < 100	± 4	± 30°
100 < L < 200	± 4	± 45°
200 < L < 500	± 8	
500 < L < 1000	± 12	
1000 < L	± 1.5 %	



CUSTOMER OUTLINE DRAWING

ALL OTHER SHEETS ARE FOR INTERNAL USE ONLY

UNLESS OTHERWISE SPECIFIED, DIMENSIONS ARE IN METRIC AND TOLERANCES ARE: <0.5mm ±0.05mm 0.5 - 6mm ±0.1mm 6 - 30mm ±0.2mm 30 - 120mm ±0.3mm ANGLES ±1°	MATERIAL -	DRAWN SUNDE	DATE 25-Nov-14	TITLE CABLE ASSY AMC, PLUG	Amphenol RF www.amphenolrf.com
	NOTICE - These drawings, specifications, or other data (1) are, and remain the property of Amphenol corp. (2) must be returned upon request; and (3) are confidential and not to be disclosed to any person other than those to whom they are given by Amphenol Corp. the furnishing of these drawings, specifications, or other data by Amphenol Corp., or to any other person to anyone for any purpose is not to be regarded by implication or otherwise in any manner licensing, granting rights to permitting such holder or any other person to manufacture, use or sell any product, process or design, patented or otherwise, that may in any way be related to or disclosed by said drawings, specifications, or other data.	REFERENCE EAR # 1434 AND	ENGINEER E WANKOFF		
	CONFIGURATION LEVEL: <input type="checkbox"/> <input type="checkbox"/>	APPROVED HARRY	DATE 25-Nov-14	SCALE: 8.0:1.0 SHEET 2 OF 2	ITEM NO. A-IPAX113-XXXYZ
	FINISH	CAD FILE		DWG SIZE B	REV F
					PART NO. A-IPAX113-XXXYZ

Mouser Electronics

Authorized Distributor

Click to View Pricing, Inventory, Delivery & Lifecycle Information:

Amphenol:

[A-1PA-113-100G2](#) [A-1PA-113-100B2](#) [A-1PA-113-229B2](#) [A-1PA-113-125B2](#) [A-1PA-113-200B2](#) [A-1PA-113-060B2](#)
[A-1PA-113-500B2](#)