

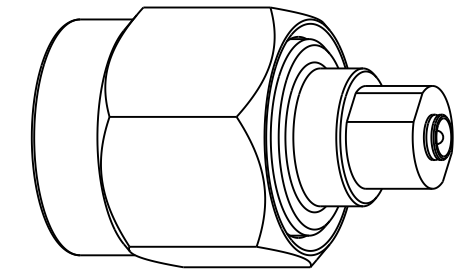
NOTES:

1. MATERIALS AND FINISHES:
  - BODY - STAINLESS STEEL, PASSIVATED
  - CONTACT - BRASS, GOLD PLATING
  - INSULATOR - PTFE, NATURAL
  - COUPLING NUT - BRASS, NICKEL PLATING
  - RETAINING RING - SUS 304, NATURAL
  - GASKET - SILICONE RUBBER, RED
2. ELECTRICAL:
  - A. IMPEDANCE: 50 OHM
  - B. FREQUENCY RANGE: DC-6 GHz
  - C. VSWR(RETURN LOSS): 1.3 MAX. @ DC-3 GHz  
1.4 MAX. @ 3-6 GHz
  - D. DIELECTRIC WITHSTANDING VOLTAGE: 100 VRMS, MIN.
3. MECHANICAL:
  - A. DURABILITY: 100 CYCLES MIN.
  - B. TEMPERATURE RANGE: -65°C TO +165°C
4. PACKAGING:
  - A. QUANTITY: SINGLE PACK
  - B. MARKING: PACKAGING TO BE MARKED  
"AMPHENOL RF, AD-SMAPAMC4J-1 & DATE CODE"

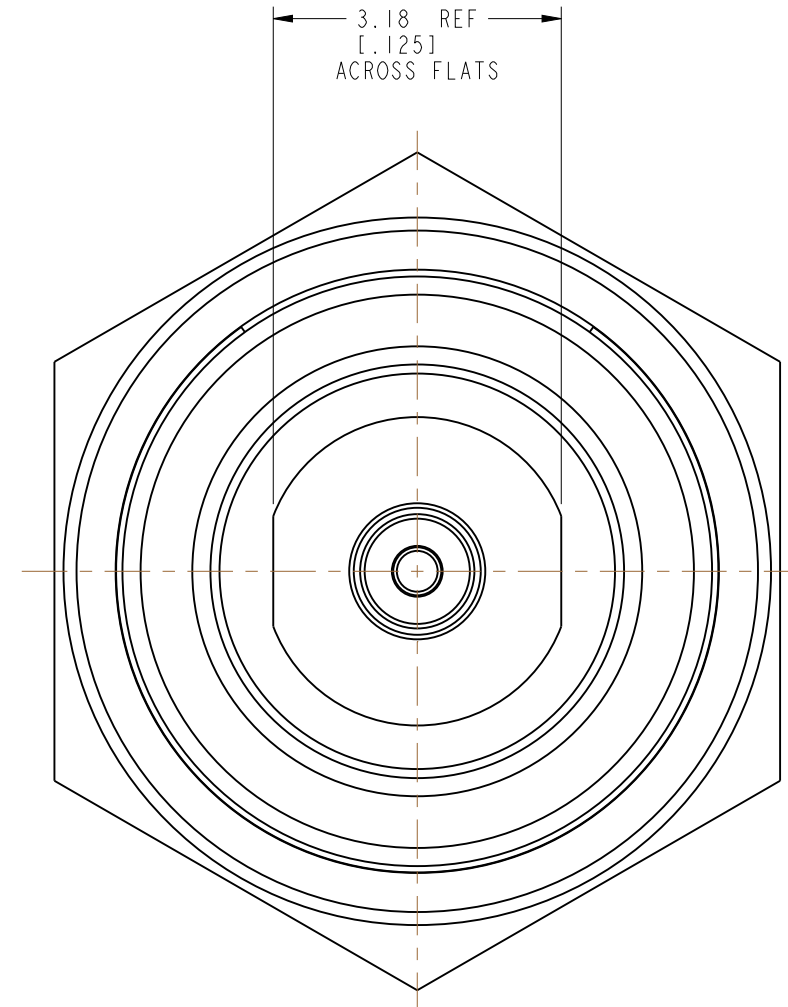
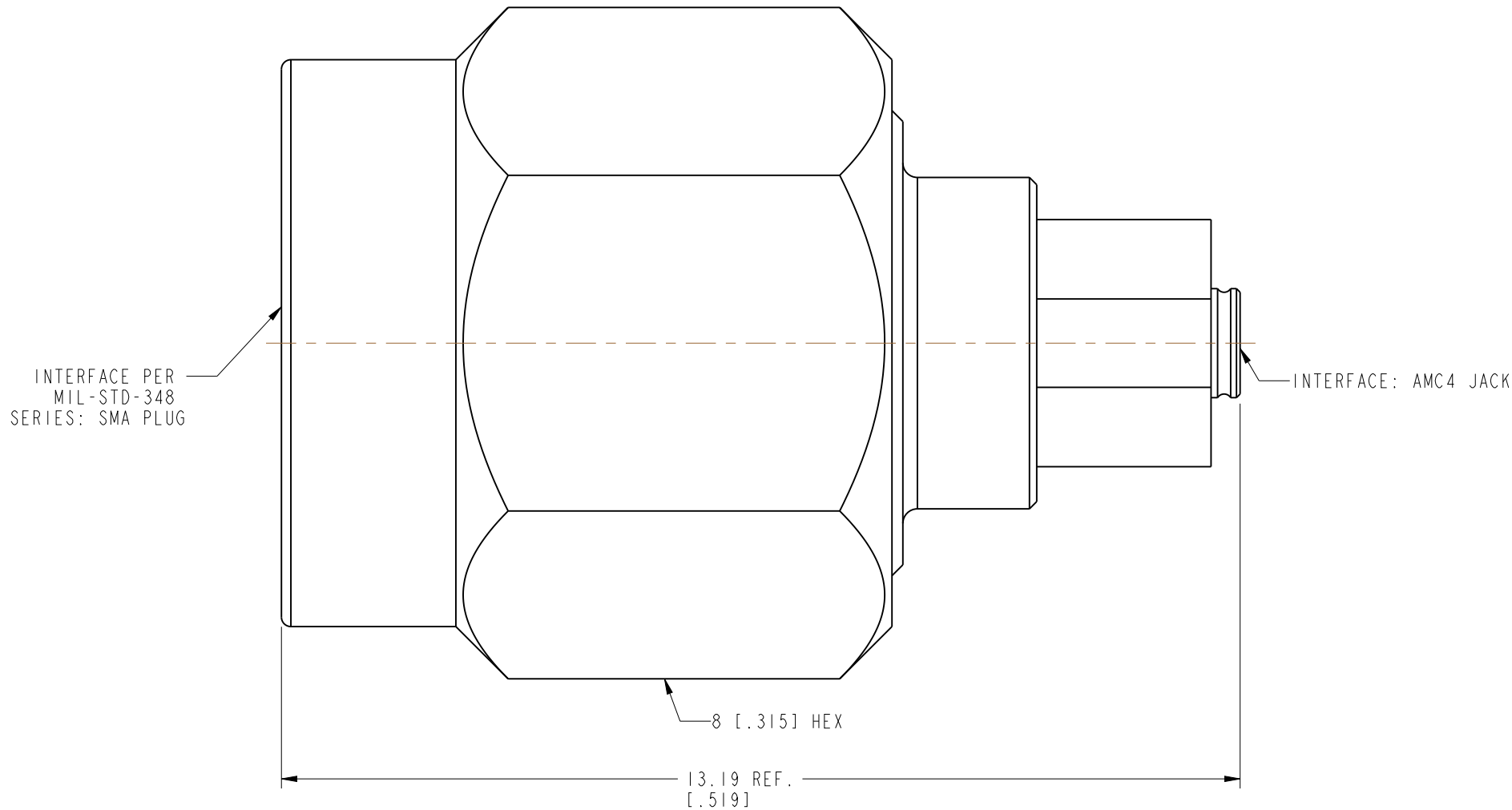
THIRD ANGLE PROJ.

REVISIONS

REV	DESCRIPTION	DATE	ECN	APPR
A	RELEASE TO MFG.	24-Oct-19	13401	EH



SCALE 4.000



**CUSTOMER OUTLINE DRAWING**

ALL OTHER SHEETS ARE FOR INTERNAL USE ONLY

UNLESS OTHERWISE SPECIFIED, DIMENSIONS ARE IN METRIC AND TOLERANCES ARE: <0.5mm ±0.05mm    0.5 - 6mm ±0.1mm    6 - 30mm ±0.2mm    30 - 120mm ±0.3mm    ANGLES ±1°	MATERIAL NOTE 1	DRAWN E. HILL	DATE 04-Mar-19	TITLE SMA PLUG TO AMC4 JACK ADAPTER	Amphenol RF www.amphenolrf.com	
	REFERENCE EAR# 8821 REF: 242212	ENGINEER E. HILL	DATE 04-Mar-19			DRAWING NO. AD-SMAPAMC4J-1
NOTICE - These drawings, specifications, or other data (1) are, and remain the property of Amphenol corp. (2) must be returned upon request; and (3) are confidential and not to be disclosed to any person other than those to whom they are given by Amphenol Corp. the furnishing of these drawings, specifications, or other data by Amphenol Corp., or to any other person to anyone for any purpose is not to be regarded by implication or otherwise in any manner licensing, granting rights to permitting such holder or any other person to manufacture, use or sell any product, process or design, patented or otherwise, that may in any way be related to or disclosed by said drawings, specifications, or other data.	CONFIGURATION LEVEL: In Work	APPROVED K. CAPOZZI	DATE 24-Oct-19	SCALE: 12.0:1.0 SHEET 2 OF 2	ITEM NO. AD-SMAPAMC4J-1	
	FINISH	CAD FILE		DWG SIZE B	REV A	PART NO. AD-SMAPAMC4J-1

# Mouser Electronics

Authorized Distributor

Click to View Pricing, Inventory, Delivery & Lifecycle Information:

[Amphenol:](#)

[AD-SMAPAMC4J-1](#)