

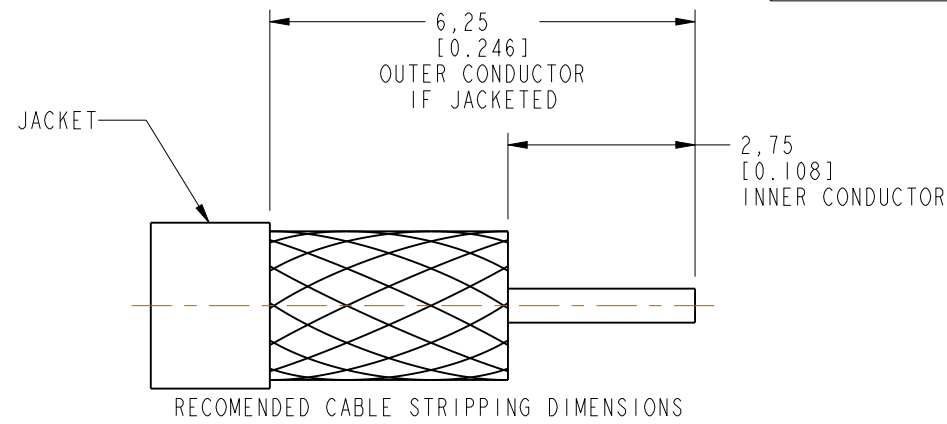
NOTES:

1. MATERIALS AND FINISHES:  
 BODIES - BRASS, GOLD PLATED  
 CONTACT - BERYLLIUM COPPER, GOLD PLATED  
 INSULATOR - PTFE  
 O-RING - SILICONE RUBBER
2. ELECTRICAL:  
 A. IMPEDANCE: 50 OHM  
 B. FREQUENCY RANGE: DC - 6 GHz
3. MECHANICAL:  
 A. DURABILITY: 100 CYCLES MIN.  
 B. TEMPERATURE RANGE: -65° C TO 165° C  
 C. CONNECTOR IS SEALED IN MATED CONDITION ONLY
4. PACKAGING:  
 A. QUANTITY: SINGLE PACK  
 B. MARKING: BAG TO BE MARKED  
 "AMPHENOL RF, SMP-MSSB-C07, AND DATE CODE"
5. ASSEMBLY INSTRUCTIONS  
 A. STRIP CABLE AS SHOWN.  
 B. SOLDER CABLE INTO REAR BODY.  
 C. INSTALL REAR-BODY TO PANEL, AND SECURE WITH BODY.  
 TORQUE TO 10-12 IN-LBS, WITH 6 MM HEX SOCKET
6. ONLY MATES WITH SMP-FS-C07-1 OR SIMILAR IP67 PLUG.  
 CONTACT AMPHENOL RF FOR COMPATIBILITY REQUIREMENTS.

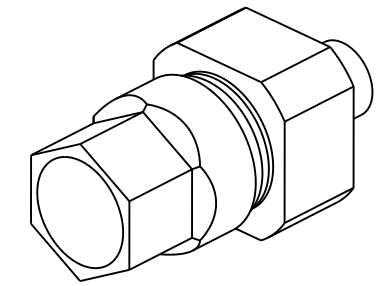
THIRD ANGLE PROJ.

REVISIONS

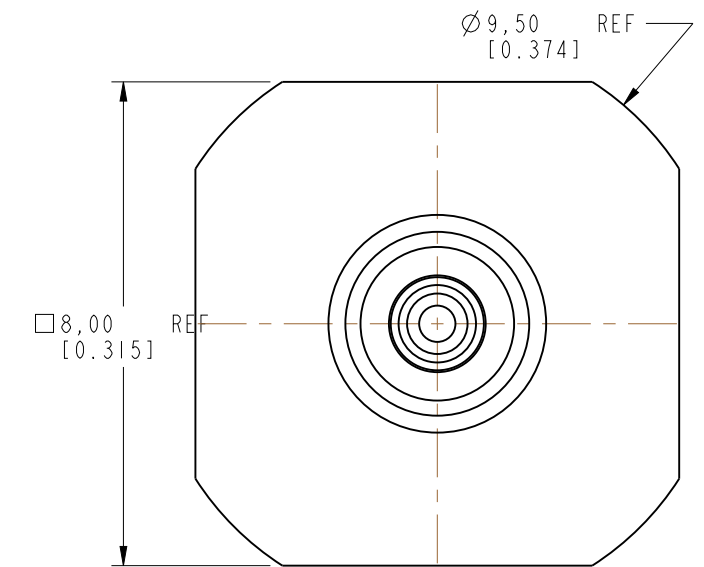
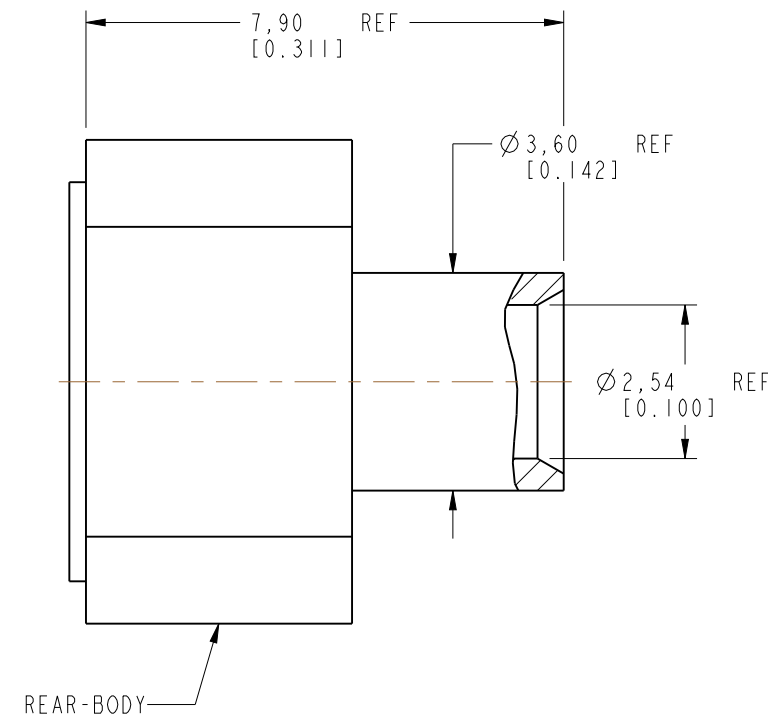
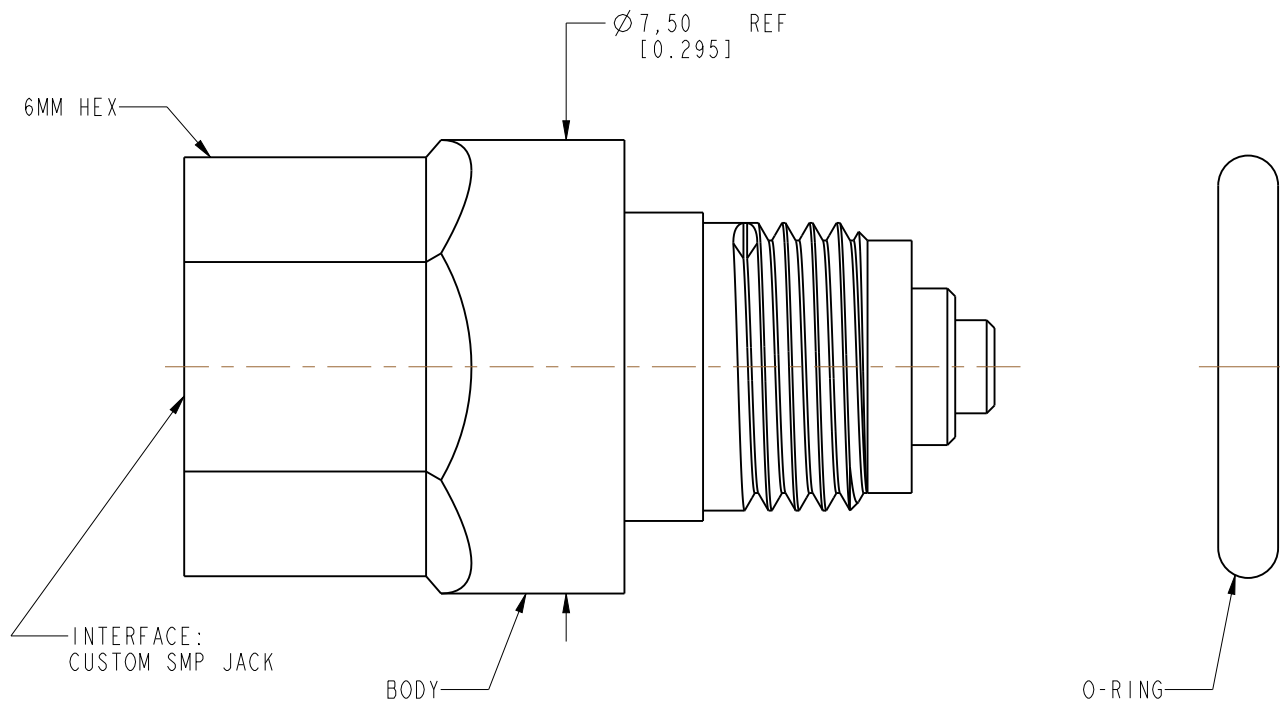
REV	DESCRIPTION	DATE	ECO	APPR
A	RELEASE TO MFG.	18-Jun-14	50045	JC
B	ADDED NOTE 6, UPDATED TITLE BLOCK, ADDED SHEET 3	17-SEP-20	15336	EH



RECOMENDED CABLE STRIPPING DIMENSIONS



SCALE 3.000



**CUSTOMER OUTLINE DRAWING**

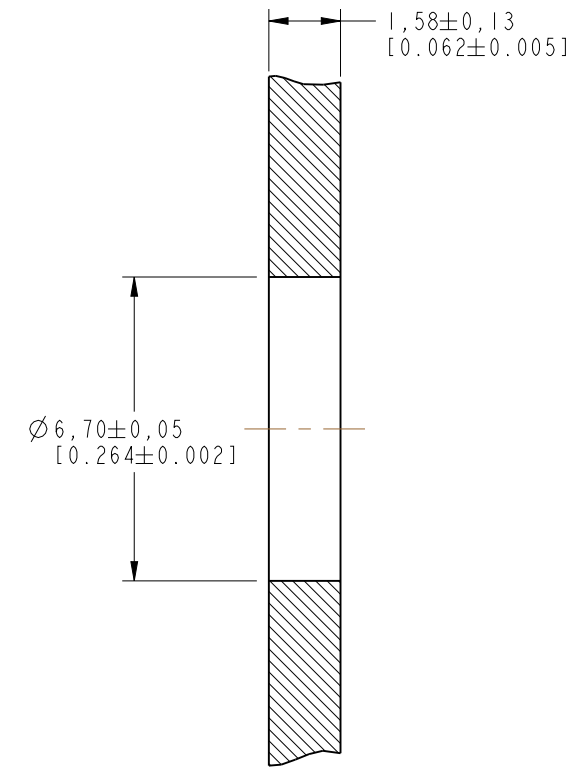
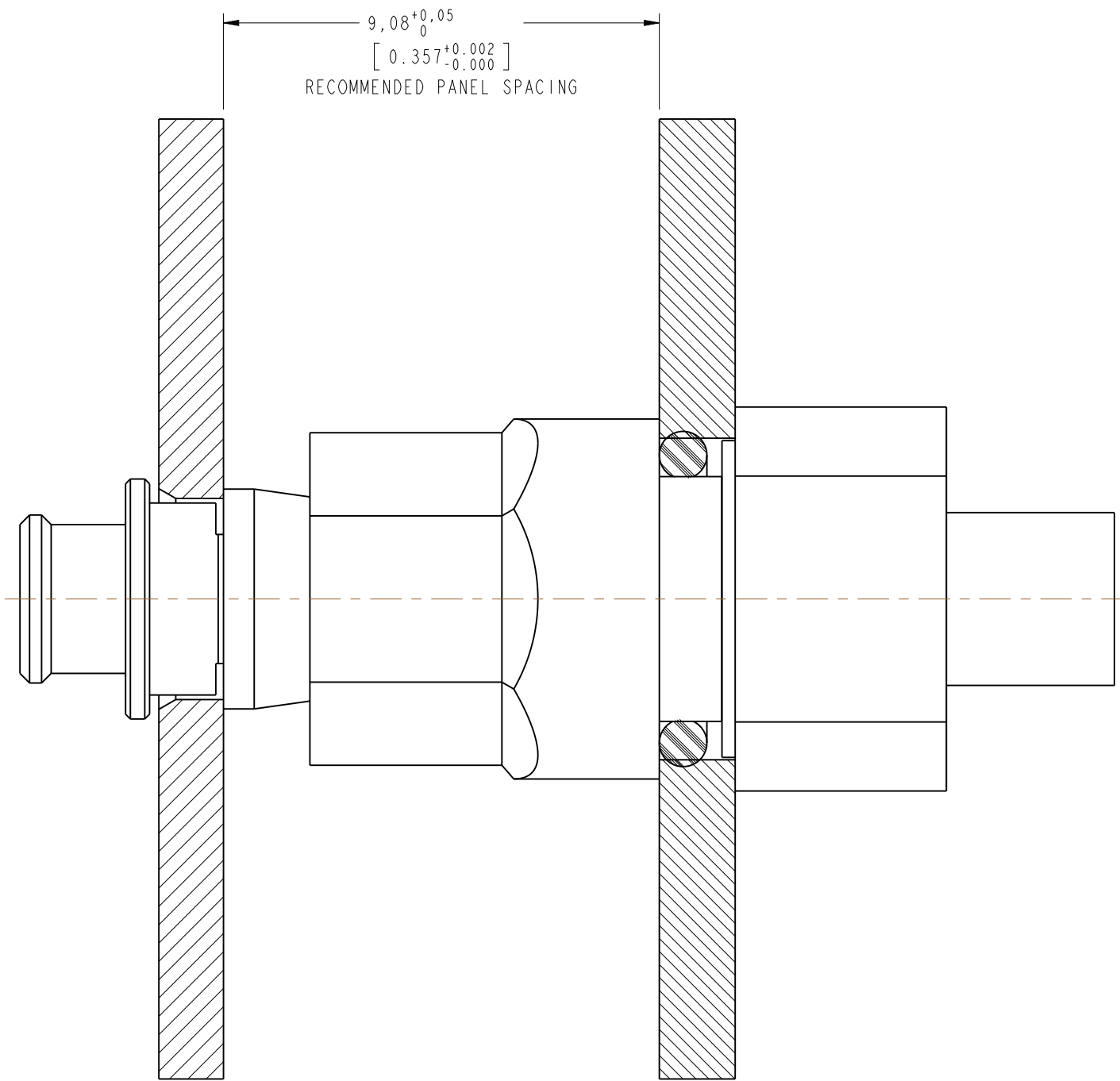
ALL OTHER SHEETS ARE FOR INTERNAL USE ONLY

<p>UNLESS OTHERWISE SPECIFIED, DIMENSIONS ARE IN METRIC AND TOLERANCES ARE:          &lt;0.5mm ±0.05mm    0.5 - 6mm ±0.1mm    6 - 30mm ±0.2mm    30 - 120mm ±0.3mm    ANGLES ±1°</p> <p>NOTICE - These drawings, specifications, or other data (1) are, and remain the property of Amphenol corp. (2) must be returned upon request; and (3) are confidential and not to be disclosed to any person other than those to whom they are given by Amphenol Corp. the furnishing of these drawings, specifications, or other data by Amphenol Corp., or to any other person to anyone for any purpose is not to be regarded by implication or otherwise in any manner licensing, granting rights to permitting such holder or any other person to manufacture, use or sell any product, process or design, patented or otherwise, that may in any way be related to or disclosed by said drawings, specifications, or other data.</p>	MATERIAL	DRAWN	DATE	TITLE SMP, JACK SMOOTH BORE, IP67 FOR .086" CABLE		Amphenol RF www.amphenolrf.com	
	SEE NOTES	JEKY.C	18-Jun-14				
	REFERENCE	APPROVED	DATE	SCALE: 8.0:1.0   SHEET 2 OF 3		DRAWING NO. SMP-MSSB-C07 ITEM NO. SMP-MSSB-C07 PART NO. SMP-MSSB-C07	
	EAR # 5814 & 615X-3057-998	S.HSIEH	01-Jul-14				
FINISH		DWG SIZE	REV				
		B	B				

THIRD ANGLE PROJ.

REVISIONS

REV	DESCRIPTION	DATE	ECO	APPR
A	RELEASE TO MFG.	18-Jun-14	50045	JC
B	UPDATED SHEET 2 NOTES, UPDATED TITLE BLOCK, ADDED SHEET 3	17-SEP-20	15336	EH



RECOMMENDED PANEL HOLE SIZE  
FOR SMP-MSSB-C07

MATED PAIR: SMP-MSSB-C07 AND SMP-FS-C07-1

UNLESS OTHERWISE SPECIFIED, DIMENSIONS ARE IN METRIC AND TOLERANCES ARE:  
 <0.5mm ± 0.05mm    0.5 - 6mm ± 0.1mm    6 - 30mm ± 0.2mm    30 - 120mm ± 0.3mm    ANGLES ± 1°

NOTICE - These drawings, specifications, or other data (1) are, and remain the property of Amphenol corp. (2) must be returned upon request; and (3) are confidential and not to be disclosed to any person other than those to whom they are given by Amphenol Corp. the furnishing of these drawings, specifications, or other data by Amphenol Corp., or to any other person to anyone for any purpose is not to be regarded by implication or otherwise in any manner licensing, granting rights to permitting such holder or any other person to manufacture, use or sell any product, process or design, patented or otherwise, that may in any way be related to or disclosed by said drawings, specifications, or other data.

MATERIAL	-
REFERENCE	EAR # 5814 AND --
CONFIGURATION LEVEL:	In Work
FINISH	

DRAWN	JEKY.C	DATE	14-AUG-20
ENGINEER	E.WANKOFF	DATE	14-AUG-20
APPROVED		DATE	
CAD FILE			

TITLE	
SMP, JACK	
SMOOTH BORE, IP67	
FOR .086" CABLE	
SCALE: 8.0:1.0	SHEET 3 OF 3
DWG SIZE	REV
B	B

Amphenol RF	
www.amphenolrf.com	
DRAWING NO. SMP-MSSB-C07	
ITEM NO. SMP-MSSB-C07	
PART NO. SMP-MSSB-C07	

# Mouser Electronics

Authorized Distributor

Click to View Pricing, Inventory, Delivery & Lifecycle Information:

[Amphenol:](#)

[SMP-MSSB-C07](#)