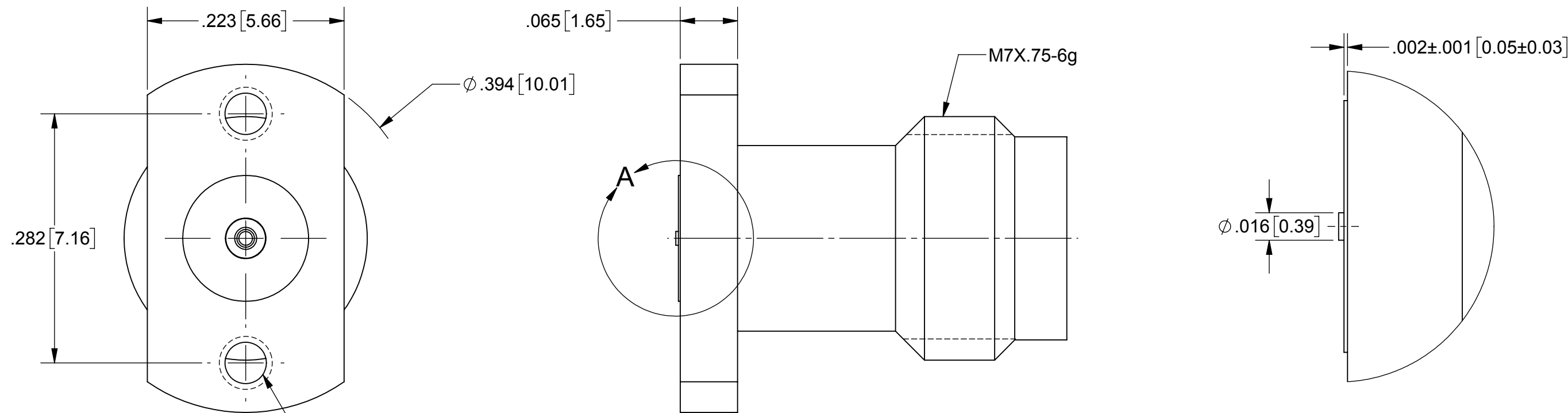


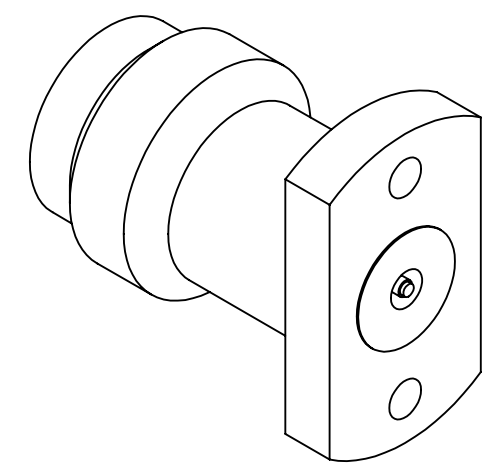
# PRODUCT DATA DRAWING

| REVISION HISTORY |             |       |          |
|------------------|-------------|-------|----------|
| REV              | DESCRIPTION | DATE  | APPROVED |
| -                | DCN 47174   | 02/18 | GPF      |
|                  |             |       |          |



2X 0-80 UNF-2B THRU HOLES

DETAIL A  
SCALE 16 : 1



**MATERIAL:**

**BODY & INSERT:** STAINLESS STEEL PER AMS-5640, ALLOY UNS S30300, TYPE 1 AND ASTM A582, TYPE 303, CONDITION A.

**CONTACT:** BERYLLIUM COPPER PER ASTM B196, ALLOY No. UNS C17300, TD04

**INSULATOR:** PCTFE PER ASTM D1430

**FINISH:**

**BODY & INSERT:** PASSIVATED PER AMS-2700.

**CONTACT:** GOLD PER ASTM B488, TYPE II, CODE C, CLASS 1.27, OVER NICKEL PER AMS-QQ-N-290, CLASS 1, .00005" MIN.

**PERFORMANCE:**

**IMPEDANCE:** 50 OHMS  
**FREQ. RANGE:** DC TO 67.0 GHz  
**VSWR:** 1.35:1 DC TO 67.0 GHz  
**INSERTION LOSS:** .05 X SQRT(F IN GHz))

**NOTES:**  
 1. FOR RECOMMENDED FOOTPRINT FOR YOUR PCB, CONTACT SV MICROWAVE SALES DEPARTMENT (sales@svmicro.com, 561-840-1800).

| SV P/N          | DESCRIPTION           | PCB THICKNESS | L    |
|-----------------|-----------------------|---------------|------|
| SF3321-60018-1S | INCL. TWO .188 SCREWS | .016 TO .123  | .188 |
| SF3321-60018-2S | INCL. TWO .250 SCREWS | .078 TO .185  | .250 |
| SF3321-60018    | NO SCREWS             | .005 TO .373  | N/A  |

|                                                                                                                                                                                                               |                                                                                          |                                                                                                                                                                                                                                                                                                                               |                                                                                                                                                                          |
|---------------------------------------------------------------------------------------------------------------------------------------------------------------------------------------------------------------|------------------------------------------------------------------------------------------|-------------------------------------------------------------------------------------------------------------------------------------------------------------------------------------------------------------------------------------------------------------------------------------------------------------------------------|--------------------------------------------------------------------------------------------------------------------------------------------------------------------------|
| MATERIAL: SEE NOTES                                                                                                                                                                                           | DIMENSIONS ARE IN INCHES TOLERANCES:<br>FRACTIONAL: ±1/64 ANGULAR: X° ±1'0"<br>X°X' ±15' | UNLESS OTHERWISE SPECIFIED<br>1) ALL DIMENSIONS ARE IN INCHES (MILLIMETERS)<br>2) ALL DIMENSIONS ARE AFTER PLATING.<br>3) BREAK CORNERS & EDGES .005 R. MAX.<br>4) CHAM. 1ST & LAST THREADS.<br>5) SURFACE ROUGHNESS 63 MIL-STD-10.<br>6) DIA.'S ON COMMON CENTERS TO BE CONCENTRIC WITHIN .005 T.I.R.<br>7) REMOVE ALL BURRS | <b>SV Microwave, Inc.</b><br>2400 Centrepark West Drive, Suite 100<br>West Palm Beach, FL 33409<br>TITLE:<br><b>1.85MM JACK 2 HOLE FLANGE COMPRESSION MOUNT (67 GHz)</b> |
| FINISH: SEE NOTES                                                                                                                                                                                             | DECIMAL: X ±.030<br>.XX ±.010<br>.XXX ±.005                                              | INTERPRET DIMENSIONS AND TOLERANCES PER ASME Y14.5M - 1994                                                                                                                                                                                                                                                                    |                                                                                                                                                                          |
| SURFACE AREA: N/A                                                                                                                                                                                             | THIRD ANGLE PROJECTION                                                                   | DRAWN: VB 02/07/18                                                                                                                                                                                                                                                                                                            | SIZE   CAGE CODE   DWG. NO.<br><b>B 95077</b>   SF3321-60018-XS                                                                                                          |
| PROPRIETARY<br>THE INFORMATION CONTAINED IN THIS DRAWING IS THE SOLE PROPERTY OF SV MICROWAVE, INC. ANY REPRODUCTION IN PART OR AS A WHOLE WITHOUT THE WRITTEN PERMISSION OF SV MICROWAVE, INC IS PROHIBITED. |                                                                                          | CHECKED: GPF 02/07/18                                                                                                                                                                                                                                                                                                         | SCALE: 4:1                                                                                                                                                               |
|                                                                                                                                                                                                               |                                                                                          | APPROVED: GPF 02/07/18                                                                                                                                                                                                                                                                                                        | SHEET 1 OF 1                                                                                                                                                             |

# Mouser Electronics

Authorized Distributor

Click to View Pricing, Inventory, Delivery & Lifecycle Information:

[Amphenol:](#)

[SF3321-60018-1S](#) [SF3321-60018-2S](#)