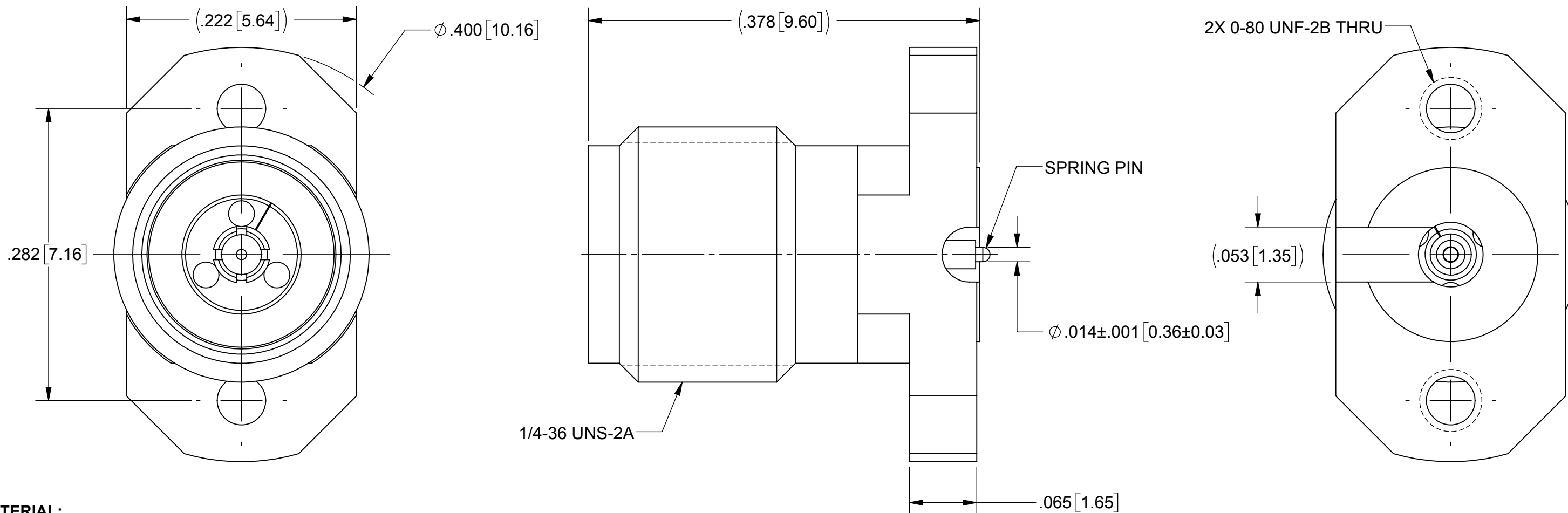


# PRODUCT DATA DRAWING

| REVISION HISTORY |             |       |          |
|------------------|-------------|-------|----------|
| REV              | DESCRIPTION | DATE  | APPROVED |
| -                | DCN 47331   | 04/18 | JMS      |
|                  |             |       |          |



**MATERIAL:**

**BODY & INSERT:** STAINLESS STEEL PER AMS-5640, ALLOY UNS S30300, TYPE 1; OR ASTM A582 TYPE 303, COND. A

**CONTACTS:** BERYLLIUM COPPER PER ASTM B196, ALLOY No. UNS C17300, TD04

**INSULATOR:** ULTEM PER ASTM D5205

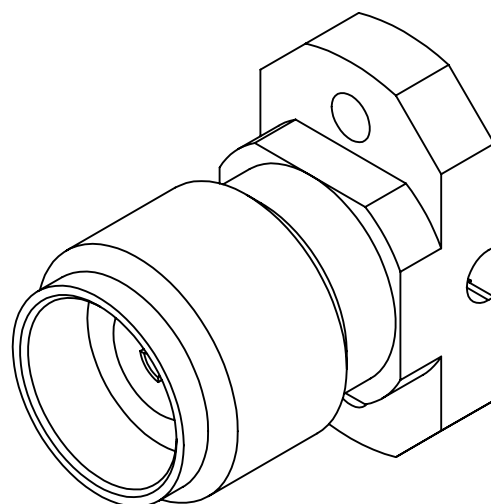
**FINISH:**  
**BODY & INSERT:** PASSIVATED PER AMS-2700

**CONTACTS:** GOLD PER ASTM B488, TYPE II, CODE C, CLASS 1.27, OVER NICKEL PER AMS-QQ-N-290, CLASS 1, .00005" MIN.

**PERFORMANCE:**

**IMPEDANCE:** 50 OHMS  
**FREQ. RANGE:** DC TO 40.0 GHz.  
**VSWR:** 1.30:1 DC TO 40.0 GHz.  
**INSERTION LOSS:** .05 X SQRT(F IN GHz.)  
**DWV:** 500 VRMS

**ENGAGEMENT/ DISENGAGEMENT:** 2 IN-LBS.



| SV P/N          | DESCRIPTION           | PCB THICKNESS |
|-----------------|-----------------------|---------------|
| SF1521-60115-1S | INCL. TWO .188 SCREWS | .028 TO .123  |

- NOTES:**
- FOR RECOMMENDED FOOTPRINT FOR YOUR PCB, CONTACT SV MICROWAVE SALES DEPARTMENT (sales@svmicro.com, 561-840-1800).

|   |  |   |  |
|---|--|---|--|
| MATERIAL: SEE NOTES   | DIMENSIONS ARE IN INCHES TOLERANCES:<br>FRACTIONAL: $\pm 1/64$ ANGULAR: X° $\pm 1^{\circ}0'$<br>X'X' $\pm 15'$ | UNLESS OTHERWISE SPECIFIED<br>1) ALL DIMENSIONS ARE IN INCHES (MILLIMETERS)<br>2) ALL DIMENSIONS ARE AFTER PLATING.<br>3) BREAK CORNERS & EDGES .005 R. MAX.<br>4) CHAM. 1ST & LAST THREADS.<br>5) SURFACE ROUGHNESS 63 MIL-STD-10.<br>6) DIA.'S ON COMMON CENTERS TO BE CONCENTRIC WITHIN .005 T.I.R.<br>7) REMOVE ALL BURRS | <br>2400 Centrepark West Drive, Suite 100<br>West Palm Beach, FL 33409<br>TITLE:<br><b>2.92mm FEMALE 2 HOLE FLANGE MOUNT W/ SPRING PIN</b> |
| FINISH: SEE NOTES   | DECIMAL: X $\pm .030$<br>.XX $\pm .010$<br>.XXX $\pm .005$   | INTERPRET DIMENSIONS AND TOLERANCES PER ASME Y14.5M - 1994  |  |
| SURFACE AREA: N/A   | THIRD ANGLE PROJECTION   | DRAWN: VB 04/02/18  | SIZE: B CAGE CODE: 95077 DWG. NO. SF1521-60115-1S  |
| PROPRIETARY<br>THE INFORMATION CONTAINED IN THIS DRAWING IS THE SOLE PROPERTY OF SV MICROWAVE, INC. ANY REPRODUCTION IN PART OR AS A WHOLE WITHOUT THE WRITTEN PERMISSION OF SV MICROWAVE, INC IS PROHIBITED. |  | CHECKED: JMS 04/02/18   | SCALE: 10:1  |
|   |  | APPROVED: JMS 04/02/18  | SHEET 1 OF 1   |

# Mouser Electronics

Authorized Distributor

Click to View Pricing, Inventory, Delivery & Lifecycle Information:

[Amphenol:](#)

[SF1521-60115-1S](#)