

# Amphenol®

## RoboLok™



### RoboLok™ Features:

RoboLok™ is a 3 position, high current primary circuit connector. Featuring Amphenol® **RADSOK®** technology, it delivers superior performance over a broad range of wire gages. RoboLok™ performs well in harsh environments, and can hit up to 240A (continuous) with a 60K T-Rise. RoboLok™ is ideal for industrial robots and other harsh industrial applications.

- 2+PE Configuration with FMLB
- 1,000V AC or DC; 50Hz—3kHz
- Light Weight Composite Housing
- Compact, Modular Design and High Current Ratings from RADSOK®
- 240A Current Rating (60K T-Rise)
- Quick Disconnect Solutions for Minimized Downtime
- Tool-less Assembly and Easy Maintenance



Powered by Amphenol®  
**RADSOK® Technology**



## Product Specifications:

### Mechanical

Number of Poles	2+PE Configuration with FMLB
Terminal	8.00mm RADSOK® R4 & PIN
Mating Cycling	Min. 500

### Electrical

Max Current Rating	240A (60K T-Rise) / UL: 200A (40K T-Rise)
Voltage Rating	1000V DC/AC
Dielectric Withstand Voltage	3,5kV (50Hz, 1min)

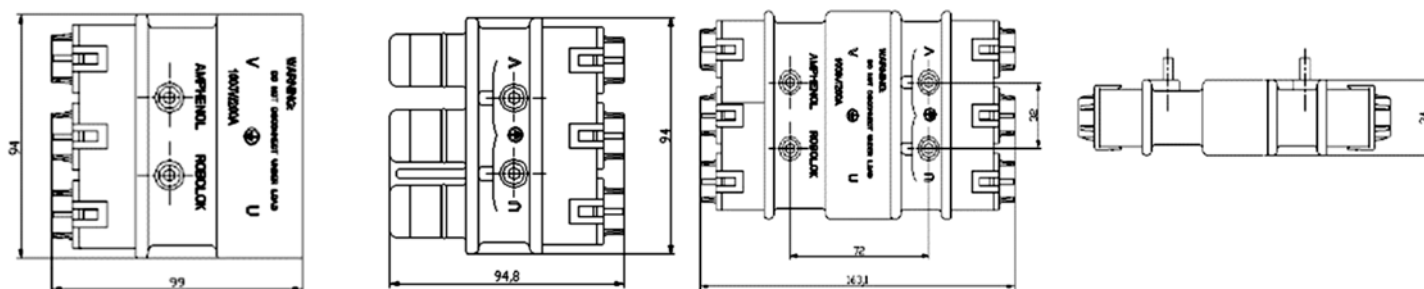
### Environmental

Protection when Mated	IP67
Temperature Range	-40°C~ +100°C
Flammability Protection	UL 94-V0

### Standards

UL1977 (In Progress)
IEC 61984
DIN VDE 0298-4/ 2003-08

### Dimensions



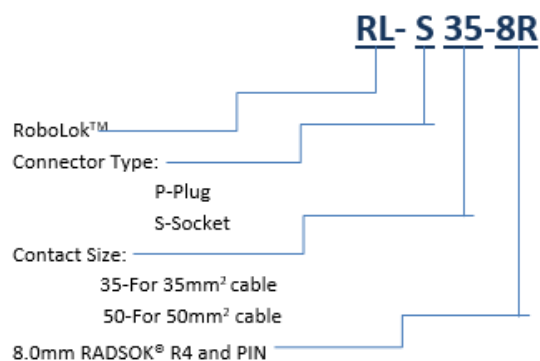
## Current RoboLok™ Sizes

### Contact System with 8.00mm RADSOK® R4

4 AWG   25mm <sup>2</sup>	100A (40K T-Rise)
2 AWG   35mm <sup>2</sup>	150A (40K T-Rise)
1/0 AWG   50mm <sup>2</sup>	200A (40K T-Rise)



## How to Order:



# Mouser Electronics

Authorized Distributor

Click to View Pricing, Inventory, Delivery & Lifecycle Information:

[Amphenol:](#)

[RL-S35-8R](#) [RL-S50-8R](#) [RL-P35-8R](#) [RL-P50-8R](#)